

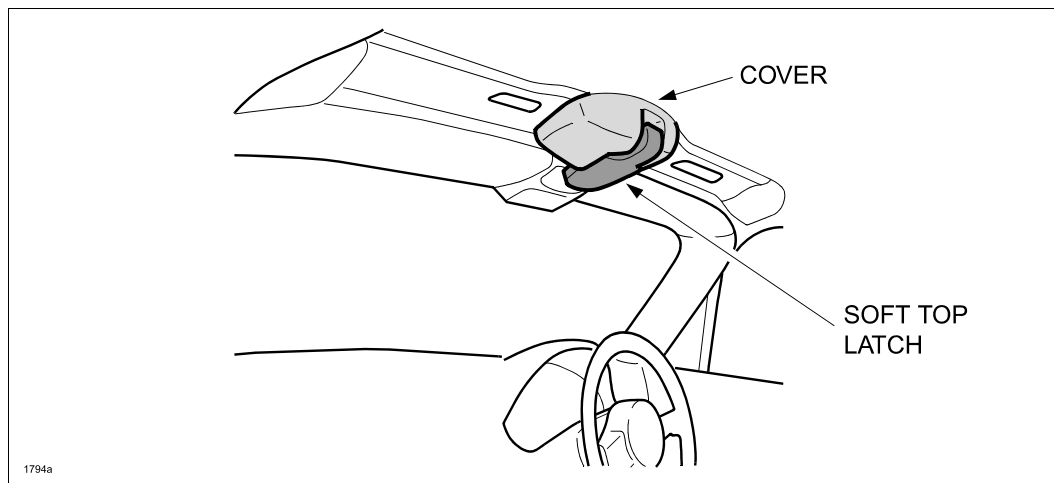
Subject: SOFT TOP LATCH AND/OR COVER RATTLING	Bulletin No: 09-028/07
	Last Issued: 7/18/2007

APPLICABLE MODEL(S)/VINS

2006-2007 MX-5 with VINs lower than JM1 NC**** ** 134259 (built before January 15, 2007)

DESCRIPTION

Some vehicles may exhibit a rattling noise from the soft top latch cover caused by looseness in the soft top latch cover.



As a mass production change to prevent the noise, a pad has been attached to the location where the soft top cover is making the noise. Customers having this concern should have their vehicle repaired using the following repair procedure.

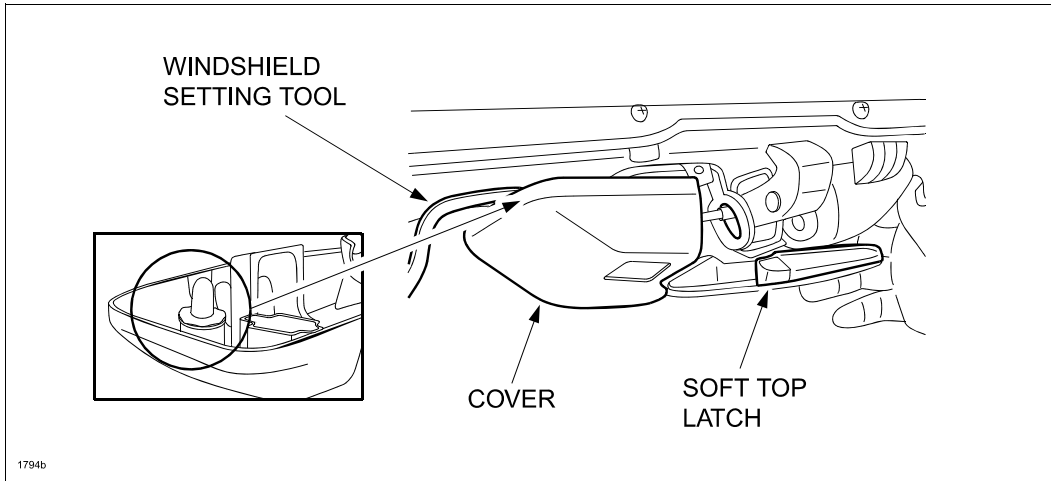
REPAIR PROCEDURE

1. Verify customer concern.
2. Remove the soft top latch cover.
 - a. Using a plastic windshield setting tool or equivalent, half-disengage the soft top latch hook.

NOTE:

- Plastic Windshield Setting Tool (Part Number IS742 - available from Equalizer at 800-334-1334) or similar available through a local supplier.
- If a flat-tipped screwdriver is to be used, wrap the tip in tape to prevent damage to the soft top latch cover.

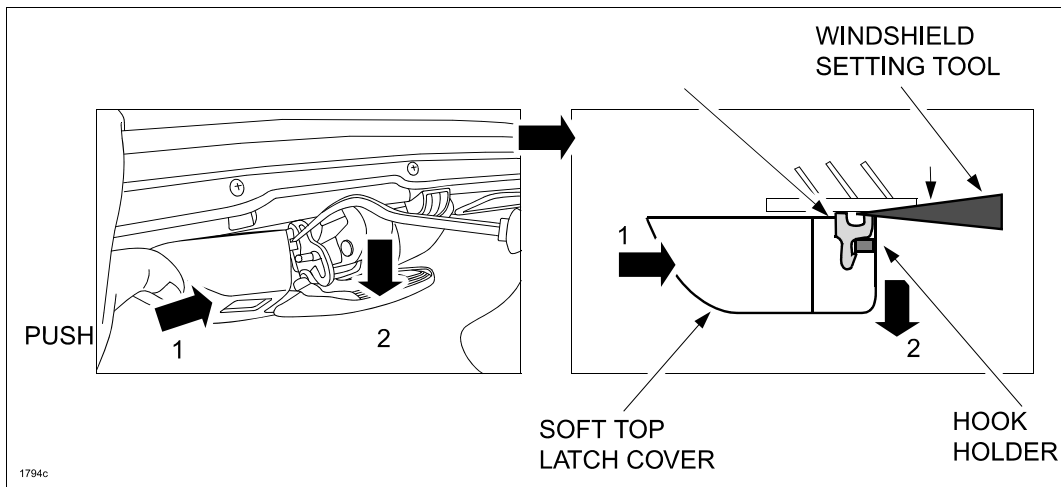
- Do not completely disengage the hook at this step yet. (Just half release the hook engagement.)



- b. Using a plastic windshield setting tool or equivalent, remove the soft top latch cover hook holder from the soft top latch hook.
- Right side: While strongly pushing the soft top latch cover inward, insert the fiber stick (or equivalent tool) as shown below, then pry down.
 - Left side: While strongly pushing the soft top latch cover inward, insert the fiber stick (or equivalent tool) as shown below, then pry downward.

NOTE:

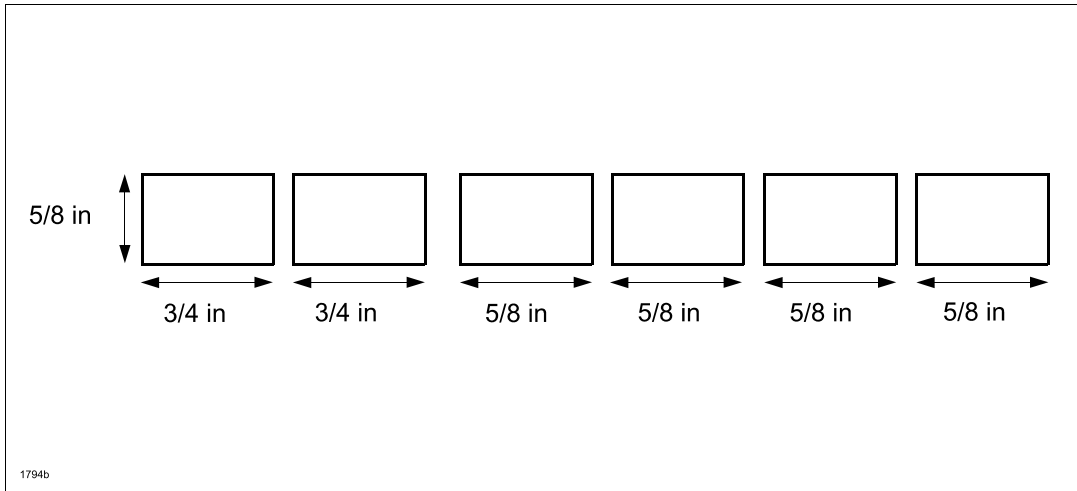
- While strongly pushing the soft top latch cover inward, insert the fiber stick (or equivalent tool) as shown below, then pry downward.



- c. Remove the cover.

3. Attach felt pads to the soft top latch hooks, latch and cover.

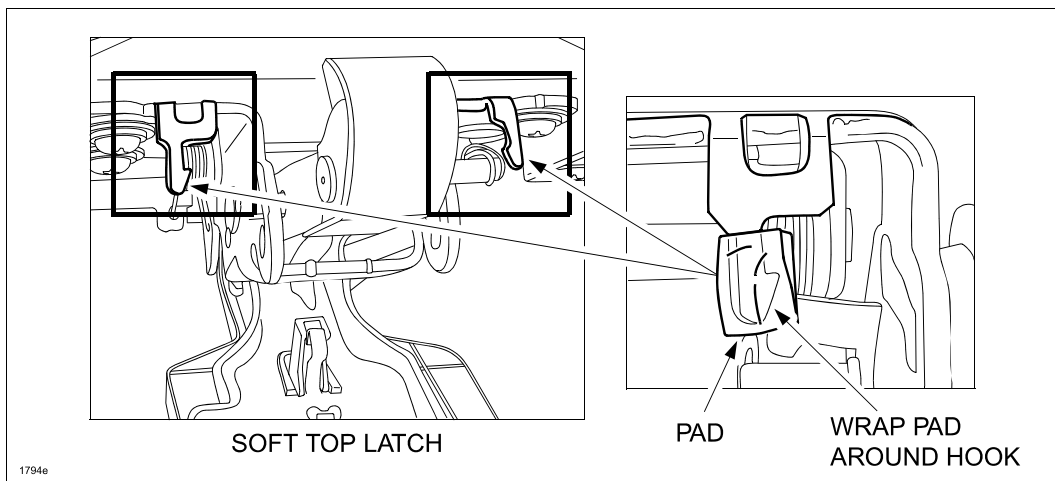
- a. Choose a 0.25 mm-thick FELT pad from the noise parts kit, and cut (1) one 5/8" strip either out of the length or width of the piece of felt then divide/cut it into (2) 3/4" X 5/8" and (4) 5/8" x 5/8" pieces.



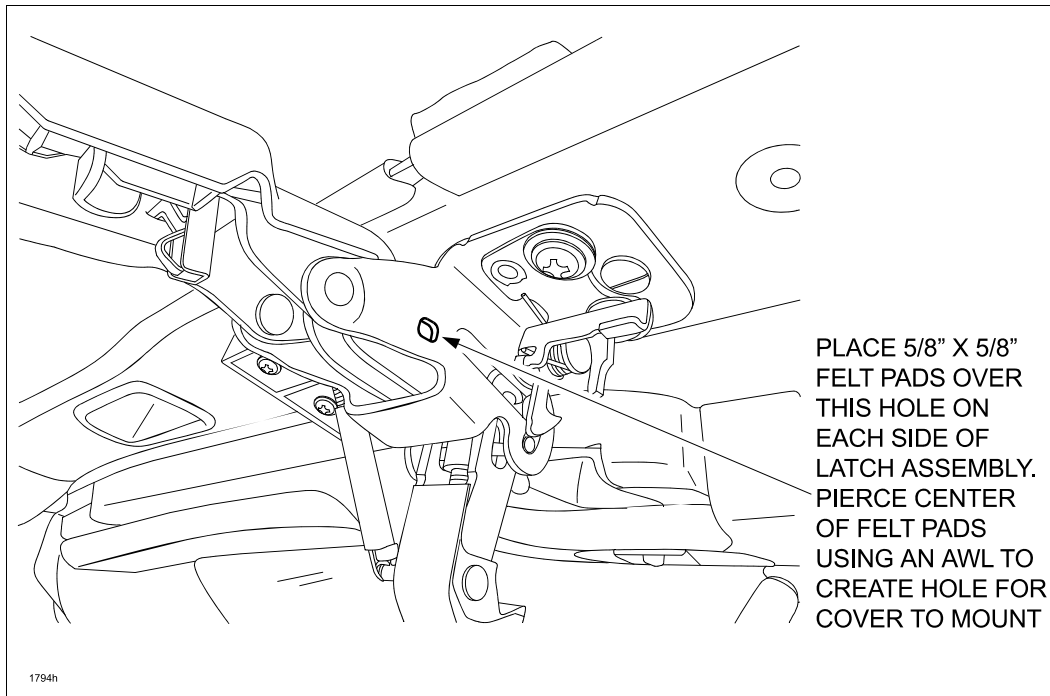
- b. Wrap 3/4" x 3/4" felt pads around both (2) latch hooks as shown.

NOTE:

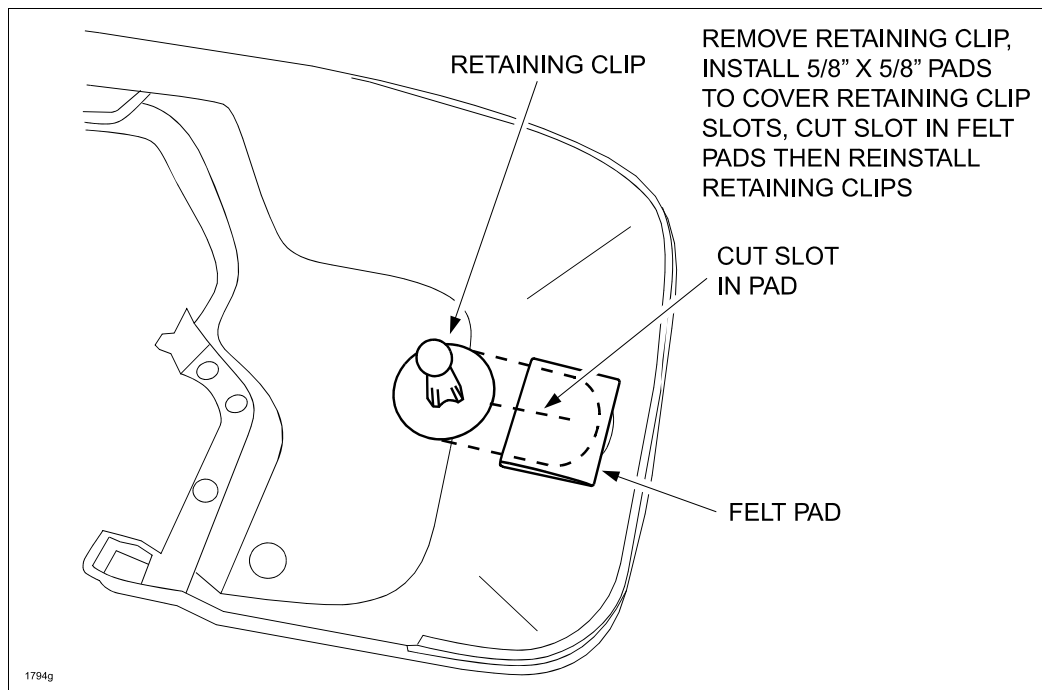
- **ALL CONTACT SURFACES MUST BE WIPED CLEAN WITH ALCOHOL TO ASSURE ADHESION.**



- c. Attach 5/8" x 5/8" felt pads over both (2) holes in latch. Pierce center of pads using an awl.



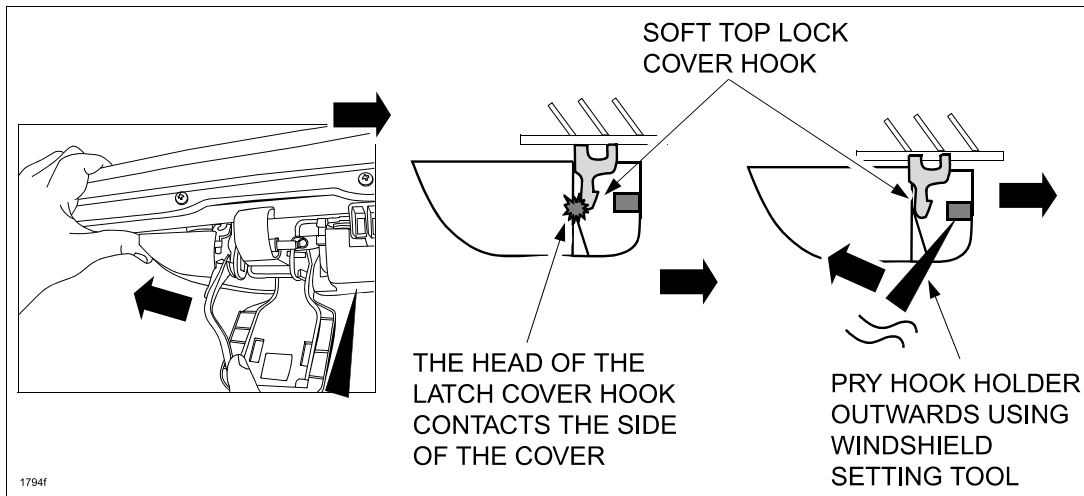
- d. Remove retaining clips from cover and attach 5/8" x 5/8" felt pads over both (2) retaining clip slots. Cut as shown before reinstalling retaining clips.



4. Re-install the soft top latch cover.
 - a. Place the cover engagement hook in position.
 - b. While the side of the soft top latch cover outward using the fiber stick or equivalent tool, allow the soft top latch cover hook to engage.

NOTE:

- Use care not to break the hook holder.



- c. Lightly tap the soft top latch cover to ensure for good fit.

5. Verify repair.

PART(S) INFORMATION

Part Number	Description	Qty.	Notes
TA01-76-100	Noise Parts Set	1	Cut FELT pad as indicated in STEP 3a.

WARRANTY INFORMATION

NOTE:

- This warranty information applies only to verified customer complaints on vehicles eligible for warranty repair. Refer to the Warranty Wizard for warranty term information.
- Additional diagnostic time cannot be claimed for this repair.

Warranty Type	A
Symptom Code	82
Damage Code	9J
Part Number Main Cause	7777-57-007
Quantity	1
Operation Number / Labor Hours:	XXC040RX / 0.2 Hrs

NOTE:

- When you order one of the above pad kits for this repair, please claim it as a related part only for the first time repair. More than 10 vehicles can be repaired by one set of TA01-76-100/K001-W0-225.