

Subject: FRONT BRAKE CREAKING AT LOW SPEEDS	Bulletin No: 04-004/07
	Last Issued: 8/3/2007

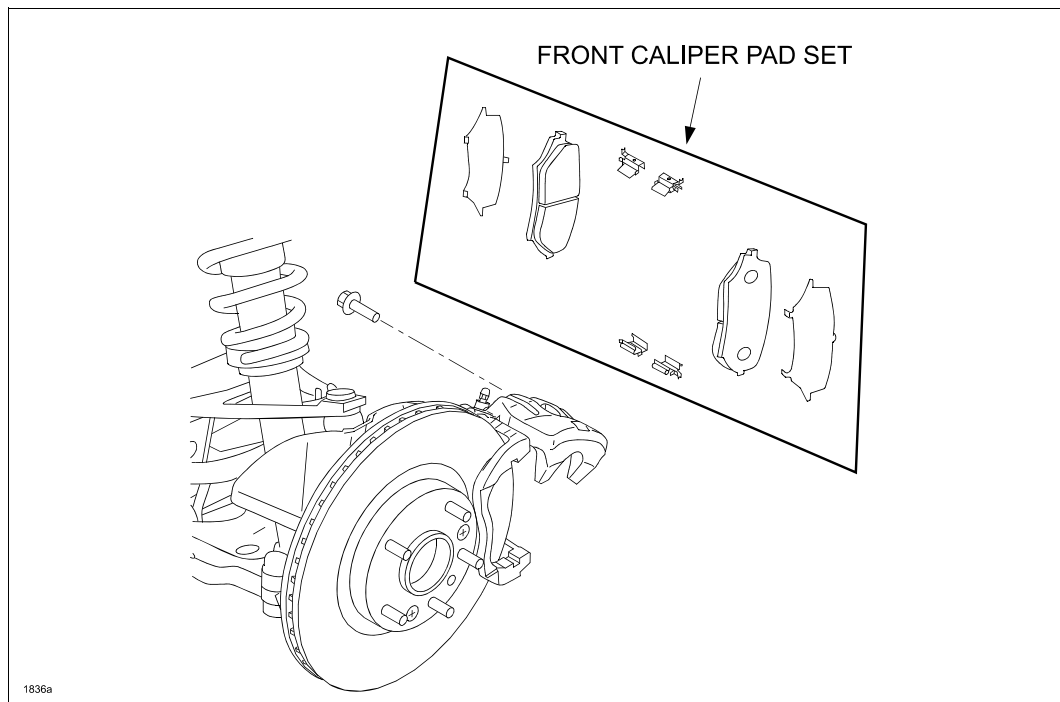
APPLICABLE MODEL(S)/VINS

2006-2007 MX-5 with VINs before JM1 NC**** ** 131172 (built before November 10, 2006)

DESCRIPTION

Some vehicles may exhibit a creaking noise when the brake pedal is gently depressed while driving at low speeds. The creaking noise is due to resonance of the front brake pad guide plate. The thickness of the guide plates have been increased to correct this concern.

Customers having this concern should have their vehicle repaired using the following repair procedure.



REPAIR PROCEDURE

1. Verify customer concern.
2. Replace front caliper pad set with modified parts (NFY7-33-23ZB). Refer to Workshop Manual section 04-11 DISC PAD (FRONT) REPLACEMENT.
3. Verify repair.

Bulletin No: 04-004/07 © 2007 Mazda Motor of America, Inc.	Last Issued: 8/3/2007
--	------------------------------

PART(S) INFORMATION

Part Number	Description	Qty.	Notes
NFY7-33-23ZB	Front Caliper Pad Set	1	Kit Includes: Guide Plates, Brake Pads, Attachment Plates

WARRANTY INFORMATION

NOTE:

- This warranty information applies only to verified customer complaints on vehicles eligible for warranty repair. Refer to the Warranty Wizard for warranty term information.
- Additional diagnostic time cannot be claimed for this repair.
- Repairs for the condition described above will be warrantied by Mazda for a term of 12 months/ 12,000 miles, which ever occurs first.

Warranty Type	A
Symptom Code	35
Damage Code	9E
Part Number Main Cause	NFY7-33-23ZB
Quantity	1
Operation Number / Labor Hours:	XXC1AXRX / 0.6 Hrs