

<b>Subject:</b>  AIR CONDITIONING MUSTY / MILDEW ODOR	<b>Bulletin No:</b> 07-002/09
	<b>Last Issued:</b> 06/24/2009

## BULLETIN NOTE

- This bulletin supersedes the previous bulletins 07-001/03 issued 05/02/03, 07-001/07 issued 06/08/07, and 07-006/08 issued 10/15/08. The APPLICABLE MODEL(S)/VINS and REPAIR PROCEDURE have been revised.
- Changes are noted below in Red beside the change bar.

## APPLICABLE MODEL(S)/VINS

2007-2009 CX-9  
2007-2009 CX-7  
2006-2008 MX-5  
2004-2009 Mazda3  
2003-2008 Mazda6  
2000-2003 MPV  
1998-2002 626  
1998-2003 Protege  
2002-2003 Protege5  
1998 MPV  
1998-2002 Millenia  
1999-2005 Miata

## DESCRIPTION

A musty/mildew type odor may come from the vents when the air conditioning (A/C) system is operating. It is most noticeable when the A/C is first turned ON. This odor is the result of mold growth in the A/C evaporator/cooling unit which is caused by condensation, dust, and pollen within the cooling unit. This condition is usually worse during high humidity conditions. "Mazda Air Cooling Coil Coating" is available to encapsulate the mold to reduce odors. If the product is properly applied, it can effectively reduce the musty/mildew odor for up to three years.

**NOTE:** See parts information for Mazda Air Cooling Coil Coating and Kit part numbers.

This treatment provides a durable coating that will aid to prevent biological reactions that lead to odor concerns. It is applied to the evaporator in a misted form that is introduced by way of the cabin air filter, the re-circulate door, the blower motor resistor access, or the blower motor air intake. Proper application requires the evaporator surface to be:

- Relatively clean and free of leaves, dust build-up and debris.
- Thoroughly dried, and the product cured onto it after application.

**NOTE:**

- A/C odor is not unique to Mazda vehicles as it will occur in other makes and models.
- To minimize A/C odor, suggest the following to the customers:
  - Keep the cooling unit dry by leaving the blower fan ON (at least on low), even if the A/C is not being used.
  - In low humidity (dry) conditions, keep the ventilation system in the “FRESH” mode all the time, or as much as possible.
  - In high humidity conditions, or if the air has a lot of dust or pollen, keep the system in the “RECIRCULATION” mode.
  - A few minutes before reaching a destination, turn the A/C OFF, but leave the blower fan ON. This stops the accumulation of condensation on the evaporator/cooling unit, and it helps dry the inside of the cooling unit.

Customers having this concern should have their vehicle repaired using the following procedure.

**REPAIR PROCEDURE**

1. Verify customer concern.
2. Verify the evaporator drain has no blockage.
3. Apply “Mazda Air Cooling Coil Coating” according to the attached instructions. Refer to the table below for the applicable repair instructions.

Repair Procedure	Page(s)
2007-2009 CX-9 Front A/C	4-6
2007-2009 CX-9 Rear A/C	6-7
2007-2009 CX-7	8-10
2003-2008 Mazda6	11-12
1998-2002 626	13-14
2004-2009 Mazda3	15-17
1998-2003 Protege and Protege5	18-19
2000-2003 MPV Front A/C	20-21
2000-2003 MPV Rear A/C	21-22
1998 MPV Front A/C	23-24
1998 MPV Rear A/C	24
2001-2002 Millenia	25-26
1998-2000 Millenia	27-28
2006-2008 MX-5	29-30
1999-2003 Miata	31-32

**NOTE:**

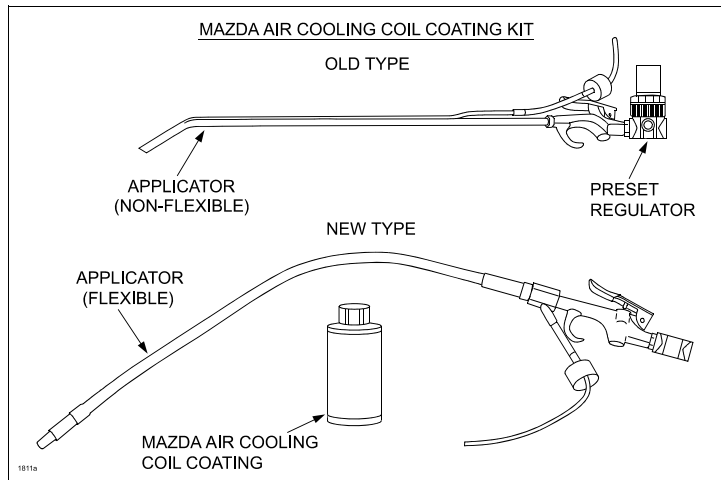
- Follow the attached instructions completely to ensure an effective repair. If insufficient care is taken on the drying sequence of product, the coating will not last, and the concern will reoccur.
- If the odor is still present after treatment, it may be necessary to remove and clean the evaporator, the evaporator foam, and the inside of the cooling unit housing with a mild dish soap and water solution. To avoid damage to components, do not clean with bleach. See Workshop Manual section 07 for removal instructions.

**WARNING:**

- **When using this product, avoid skin and eye contact. Wear safety glasses and gloves, and avoid breathing vapors.**
- **Read all the safety and first aid instructions on the back of the Mazda bottle.**

4. Verify repair.

**PART(S) INFORMATION**



Part Number	Description	Qty.	Notes
0000-77-570K-01	Mazda Air Cooling Coil Coating Kit	1	Includes applicator, UltiFlex flexible applicator tool, and 4- bottles of Mazda Air Cooling Coil Coating 118 ml (4 fl oz)
0000-77-550E-01	Mazda Air Cooling Coil Coating	1= (4 bottles)	Replacement bottles 118 ml (4 fl oz), requires one-bottle per vehicle (two-bottles required for MPV with rear air)

**WARRANTY INFORMATION**

**Note:** This repair is not covered by warranty.

## 2007-2009 CX-9 Front A/C

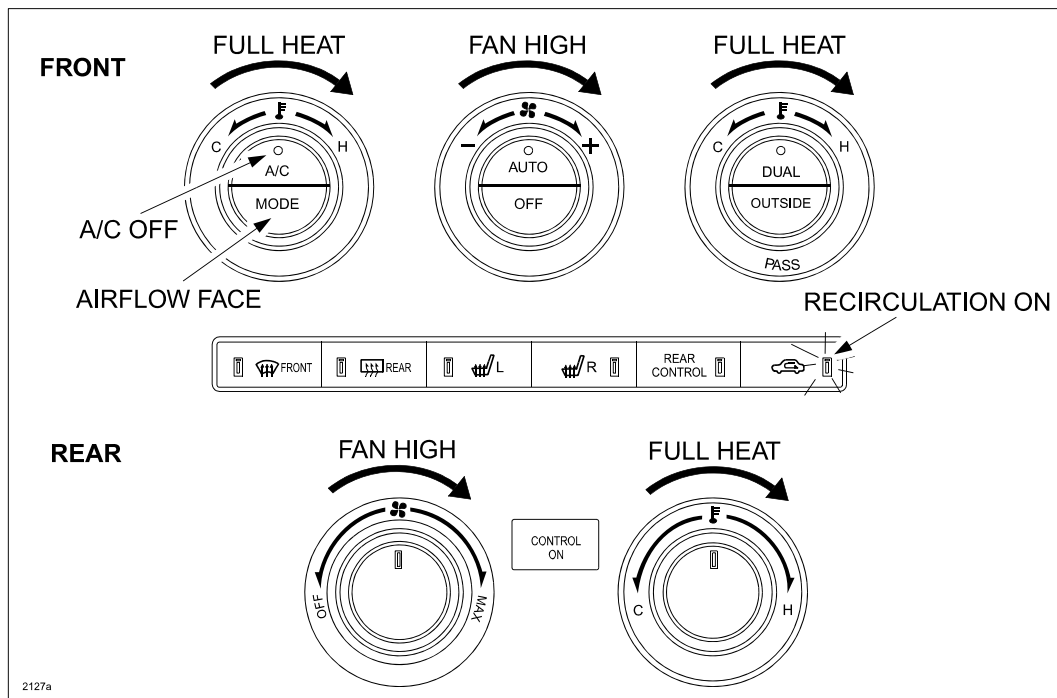
### 1. Dry the evaporators using the following procedure:

**WARNING:** Running the engine inside an enclosed area, such as a garage, is dangerous. Exhaust gas, which contains poisonous carbon monoxide, could easily enter the cabin. Loss of consciousness or even death could occur. Don't run the engine when inside an enclosed area.

A. Start the engine.

B. Set the HVAC controls as follows.

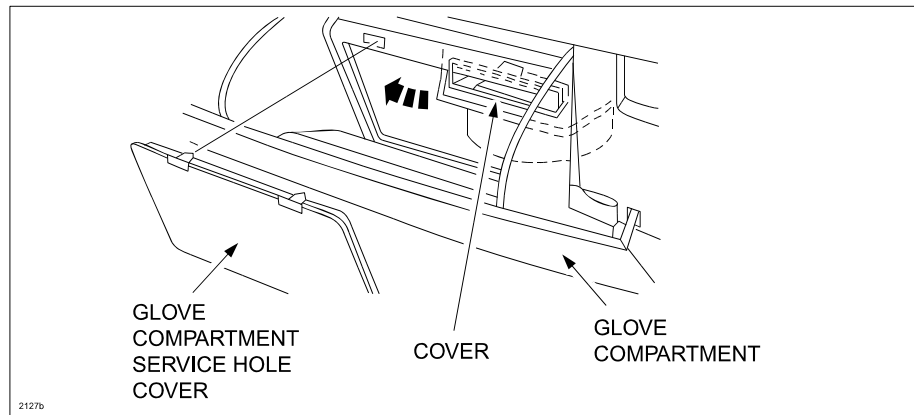
- RECIRCULATE
- FULL HEAT (front and rear)
- FAN HIGH (front and rear)
- A/C OFF
- AIRFLOW - FACE (front and rear)



C. Open one window approximately one half inch.

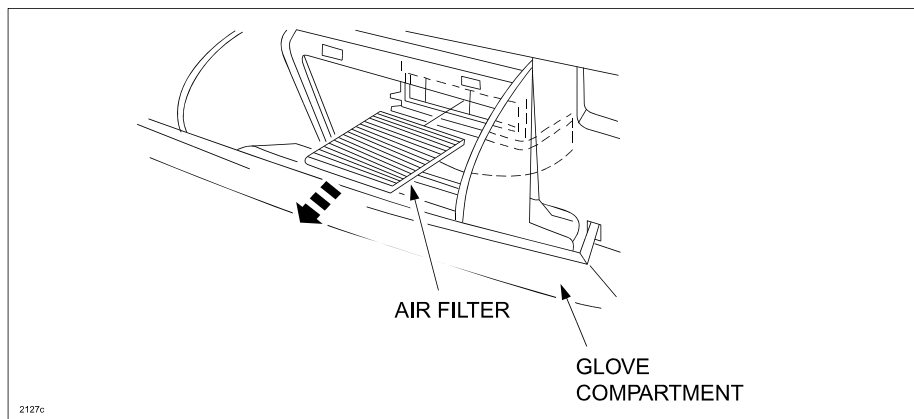
D. Let the engine run for 15 minutes.

2. Remove the glove compartment service hole cover.



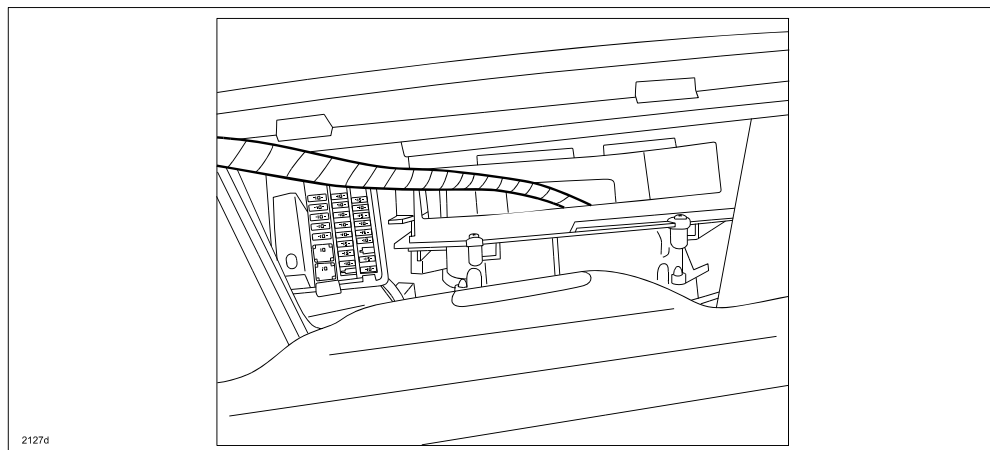
3. Stop the engine. Switch OFF the fan motor.

4. Remove the cabin air filter cover, then the filter.



5. Shake a bottle of the Mazda Air Cooling Coil Coating well and attach it to the applicator, then connect the applicator to compressed shop air.

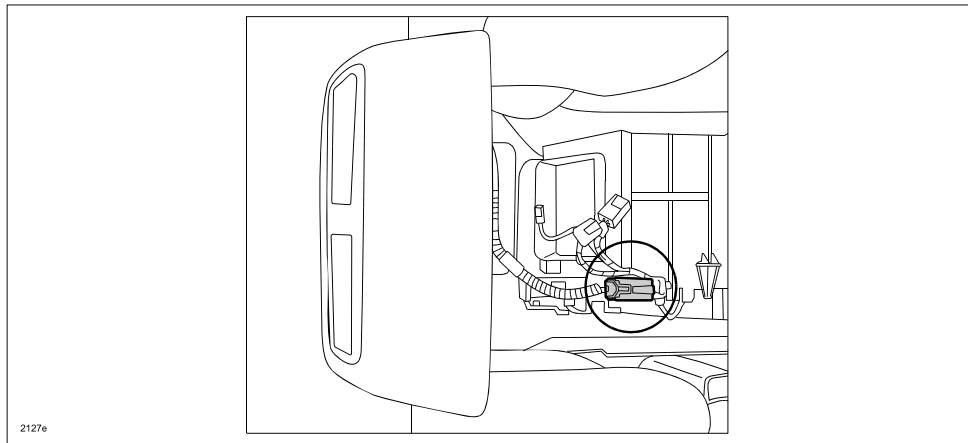
6. Insert the applicator through the the cabin air filter opening, then into the blower motor air intake opening. Point the nozzle tip downward and outward, and place it along the edge of the blower motor air intake opening.



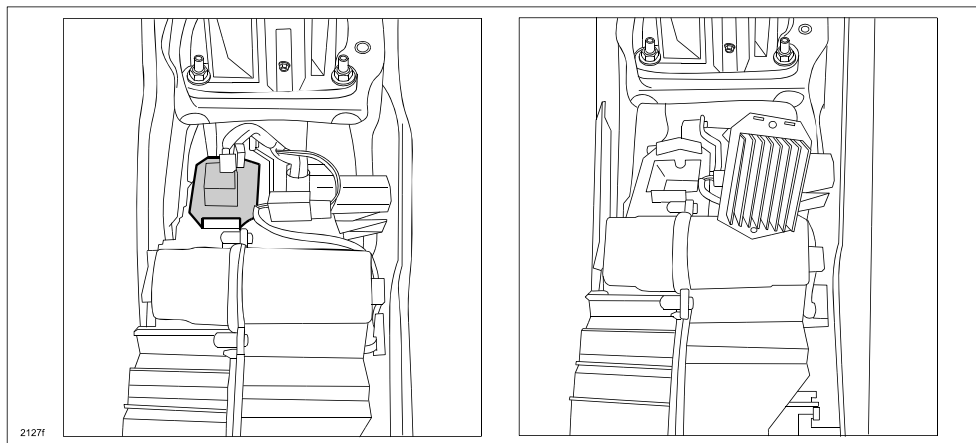
7. Switch the fan motor ON.
8. Spray the entire contents of the bottle in short bursts, 3 seconds ON, 3 seconds OFF around the outer edge and into the rotating fan. A fine mist may exit from the ducts.
9. When the bottle is empty, switch the fan motor off, then remove the applicator.  
**NOTE:** For reuse, clean the applicator by flushing a bottle of clean water through it.
10. Reinstall the cabin air filter.
11. Reinstall the glove compartment service hole cover.
12. Use STEP 1 to dry and cure the product for 5 minutes instead of 15 minutes.
13. Note application date in service record.

### 2007-2009 CX-9 Rear A/C

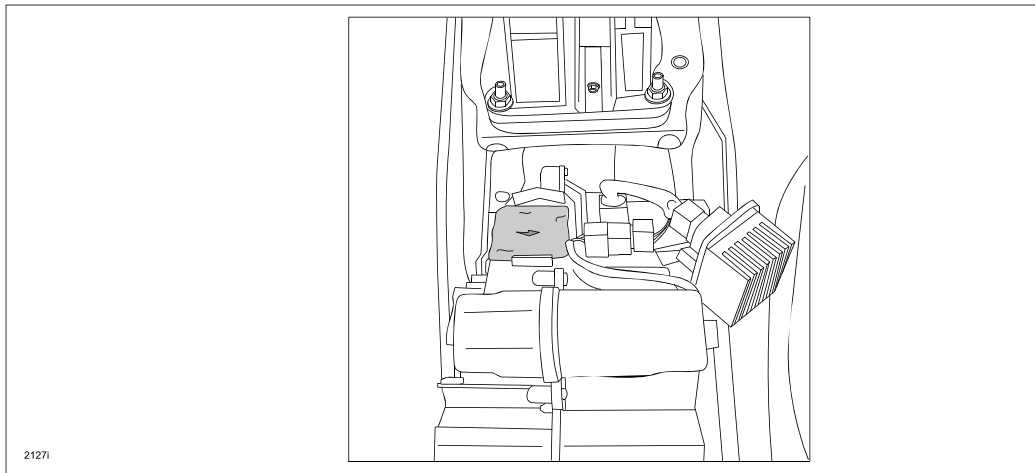
14. Remove the console. Refer to MS3 online instructions or Workshop Manual section 09-17.
15. Attach the rear connector to the console cover so that the rear climate control will operate.



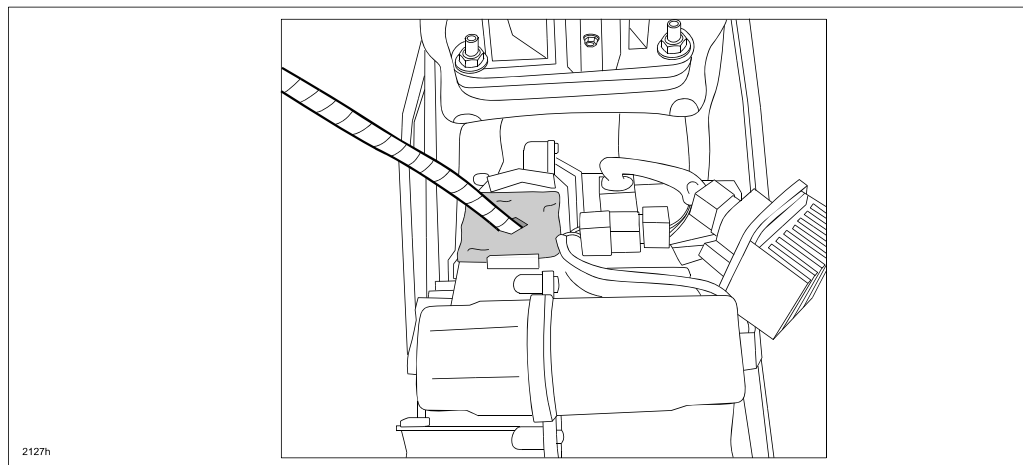
16. Remove the Power MOS FET, but do not disconnect.  
**WARNING: Power MOS FET may be extremely hot.**



17. Put duct tape over the Power MOS FET opening, and then cut a slit in the duct tape to put the applicator through.



18. Shake a bottle of the Mazda Air Cooling Coil Coating well and attach it to the applicator, then connect the applicator to compressed shop air.
19. Insert the applicator inside the hole. Point the nozzle tip in direction of the evaporator.



20. Switch the rear fan motor ON.
21. Spray the entire contents of the bottle in short bursts, 3 seconds ON, 3 seconds OFF moving up and down and side to side across the evaporator. A fine mist may exit from the ducts.
22. When the bottle is empty, stop the engine and remove the applicator.
- NOTE:** For reuse, clean the applicator by flushing a bottle of clean water through it.
23. Use STEP 1 to dry and cure the product for 5 minutes instead of 15 minutes.
24. While the product is drying, re-install the removed parts.
25. Note application date in service record.

**2007-2009 CX-7**

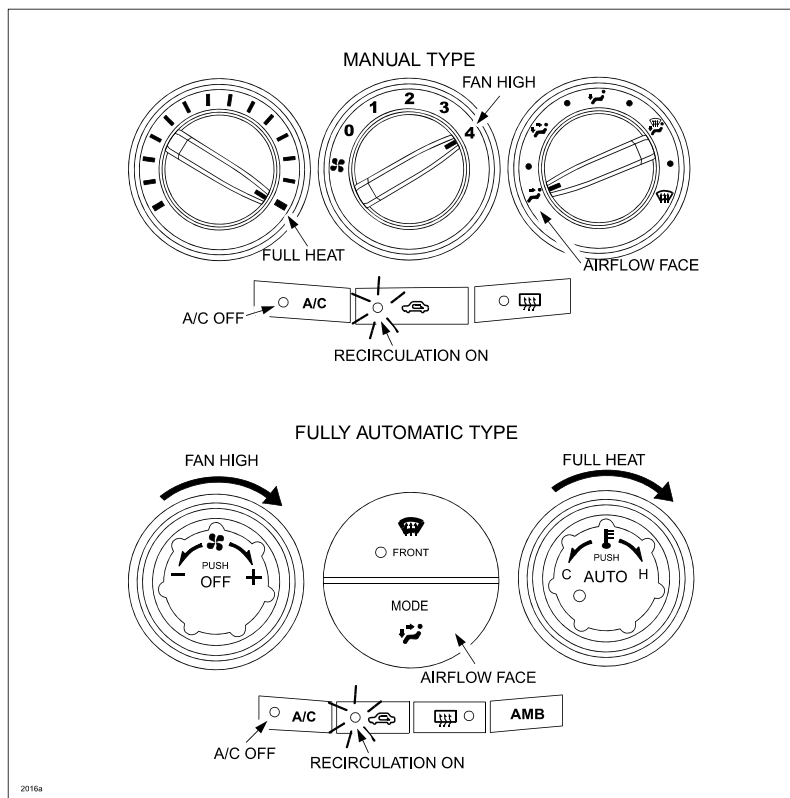
1. Dry the evaporator using the following procedure:

**WARNING:** Running the engine inside an enclosed area, such as a garage, is dangerous. Exhaust gas, which contains poisonous carbon monoxide, could easily enter the cabin. Loss of consciousness or even death could occur. Don't run the engine when inside an enclosed area.

A. Start the engine.

B. Set the HVAC controls as follows.

- RECIRCULATE
- FULL HEAT
- FAN HIGH
- A/C OFF
- AIRFLOW (FACE)

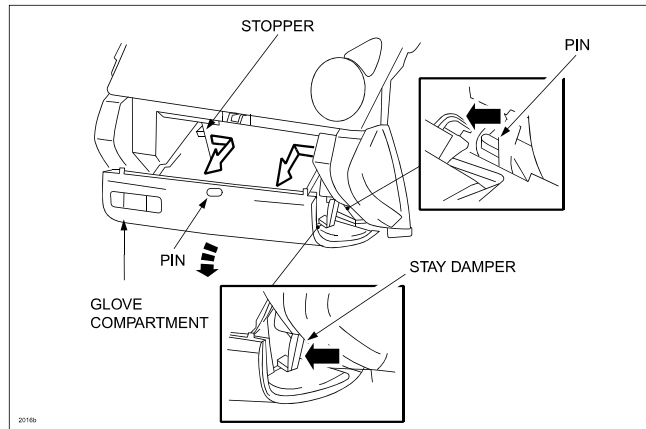


C. Open one window approximately one half inch.

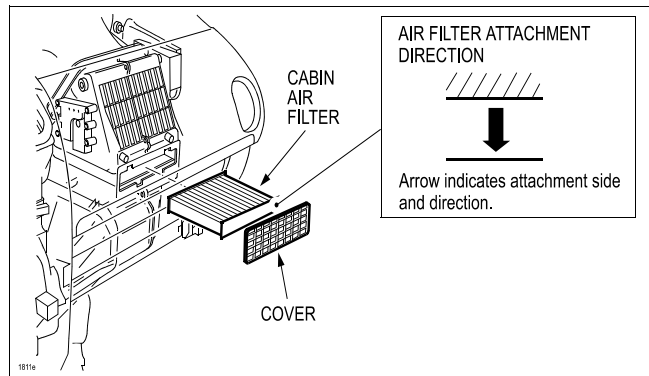
D. Let the engine run for 15 minutes.



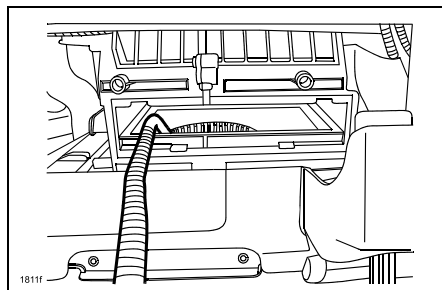
2. Remove the glove box by:
  - A. Pressing the damper stay in the direction shown by the arrow and detach it from the glove compartment lid.



- B. Bending the stoppers inward to remove.
  - C. Turn the glove compartment downward and pull the pins.
3. Stop the engine. Switch OFF the fan motor.
4. Remove the cabin air filter cover, then the filter.



5. Shake a bottle of the Mazda Air Cooling Coil Coating well and attach it to the applicator, then connect the applicator to compressed shop air.
6. Insert the applicator through the the cabin air filter opening, then into the blower motor air intake opening. Point the nozzle tip downward and outward, and place it along the edge of the blower motor air intake opening.



7. Switch the fan motor ON.
8. Spray the entire contents of the bottle in short bursts, 3 seconds ON, 3 seconds OFF around the outer edge and into the rotating fan. A fine mist may exit from the ducts.
9. When the bottle is empty, switch the fan motor off, then remove the applicator.  
**NOTE:** For reuse, clean the applicator by flushing a bottle of clean water through it.
10. Reinstall the cabin air filter.
11. Reinstall the glove box.
12. Use STEP 1 to dry and cure the product for 5 minutes instead of 15 minutes.
13. Note application date in service record.

## 2003-2008 Mazda6

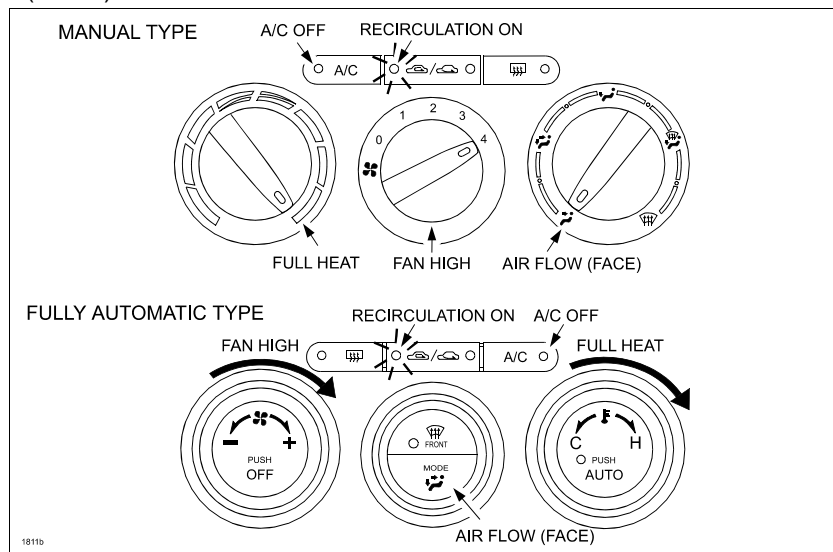
1. Dry the evaporator using the following procedure:

**WARNING:** Running the engine inside an enclosed area, such as a garage, is dangerous. Exhaust gas, which contains poisonous carbon monoxide, could easily enter the cabin. Loss of consciousness or even death could occur. Don't run the engine when inside an enclosed area.

A. Start the engine.

B. Set the HVAC controls as follows.

- RECIRCULATE
- FULL HEAT
- FAN HIGH
- A/C OFF
- AIRFLOW (FACE)

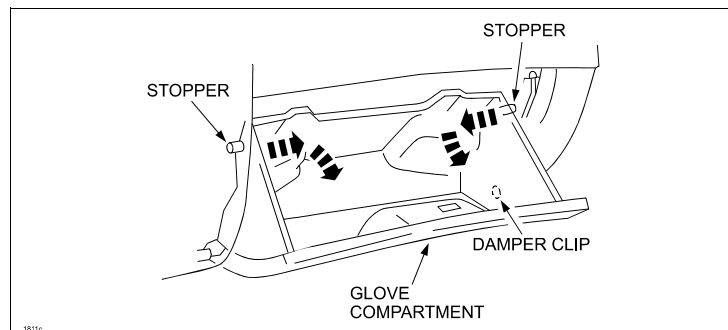


C. Open one window approximately one half inch.

D. Let the engine run for 15 minutes.

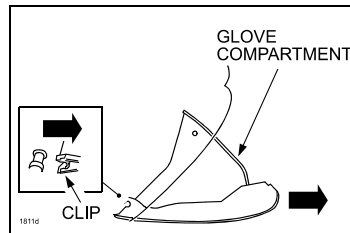
2. Remove the glove box by:

A. Removing the damper clip.

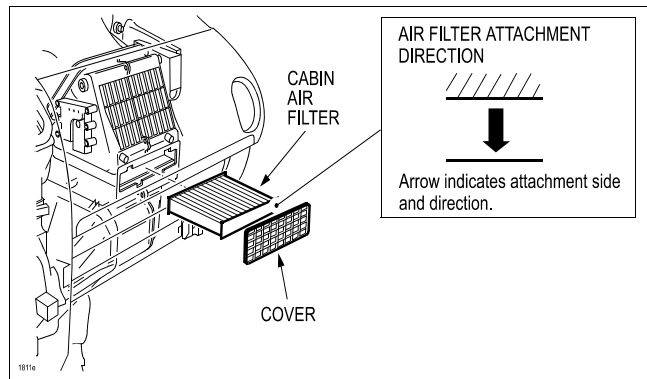


B. Bending the stoppers inward to remove.

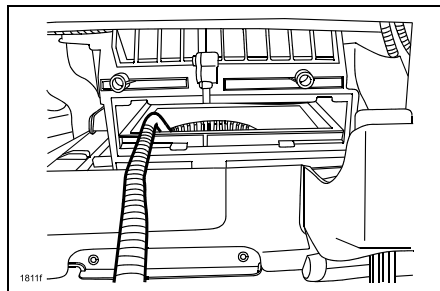
- C. Opening the lid until it is completely horizontal and remove the lid by pulling it in the direction of the arrow.



3. Stop the engine. Switch OFF the fan motor.
4. Remove the cabin air filter cover, then the filter.



5. Shake a bottle of the Mazda Air Cooling Coil Coating well and attach it to the applicator, then connect the applicator to compressed shop air.
6. Insert the applicator through the the cabin air filter opening, then into the blower motor air intake opening. Point the nozzle tip downward and outward, and place it along the edge of the blower motor air intake opening.



7. Switch the fan motor ON.
8. Spray the entire contents of the bottle in short bursts, 3 seconds ON, 3 seconds OFF around the outer edge and into the rotating fan. A fine mist may exit from the ducts.
9. When the bottle is empty, switch the fan motor off, then remove the applicator.

**NOTE:** For reuse, clean the applicator by flushing a bottle of clean water through it.

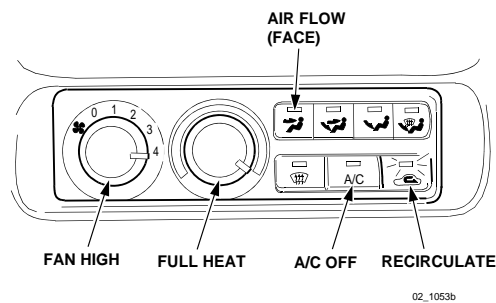
10. Reinstall the cabin air filter.
11. Reinstall the glove box.
12. Use STEP 1 to dry and cure the product for 5 minutes instead of 15 minutes.
13. Note application date in service record.

**1998-2002 626**

1. Dry the evaporator using the following procedure:

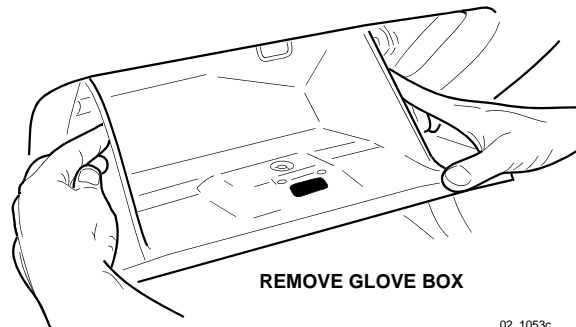
**WARNING:** Running the engine inside an enclosed area, such as a garage, is dangerous. Exhaust gas, which contains poisonous carbon monoxide, could easily enter the cabin. Loss of consciousness or even death could occur. Don't run the engine when inside an enclosed area.

- A. Start the engine.
- B. Set the HVAC controls as follows:
  - RECIRCULATE
  - FULL HEAT
  - FAN HIGH
  - A/C OFF
  - AIRFLOW (FACE)



02\_1053b

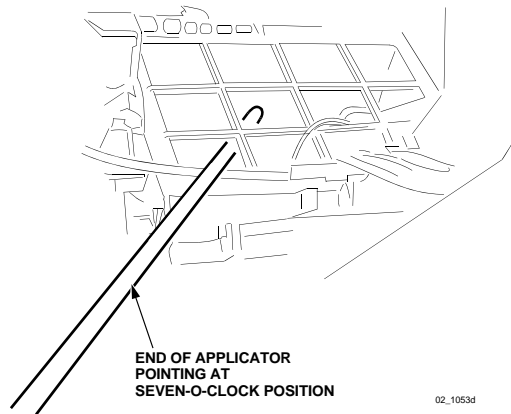
- C. Open one window approximately one half inch.
  - D. Let the engine run for 15 minutes.
2. Remove the glove box by:
    - A. Pushing the top stops inward (plastic will flex).



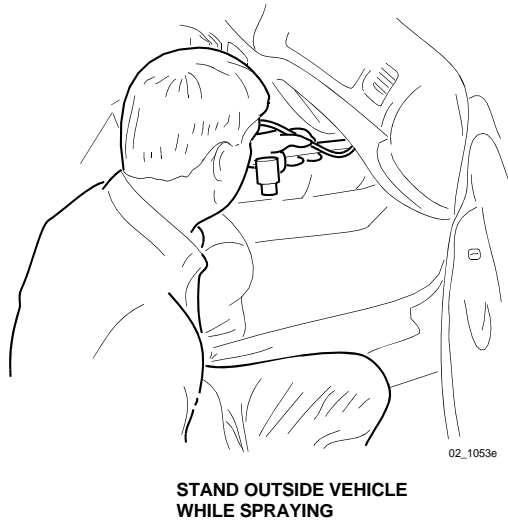
02\_1053c

- B. At the right side hinge, lift the clip out of its seat.
  - C. Pull the left side axle pin out towards the right side and remove the glove box.
3. Shake a bottle of the Mazda Air Cooling Coil Coating well and attach it to applicator, then connect the applicator to compressed shop air.

4. Insert the applicator in the grille of the recirculation door. Point the nozzle tip downwards (approximately at the 7 o'clock position) and towards the center of the cooling unit.



5. Spray the entire contents of the bottle in short bursts, 3 seconds ON, 3 seconds OFF into the rotating fan. A fine mist may exit from the ducts.



6. When the bottle is empty, stop the engine and remove the applicator.  
**NOTE:** For reuse, clean the applicator by flushing a bottle of clean water through it.
7. Use STEP 1 to dry and cure the product for 5 minutes instead of 15 minutes.
8. While product is drying, re-install the glove box.
9. Note application date in service record.

## 2004-2009 Mazda3

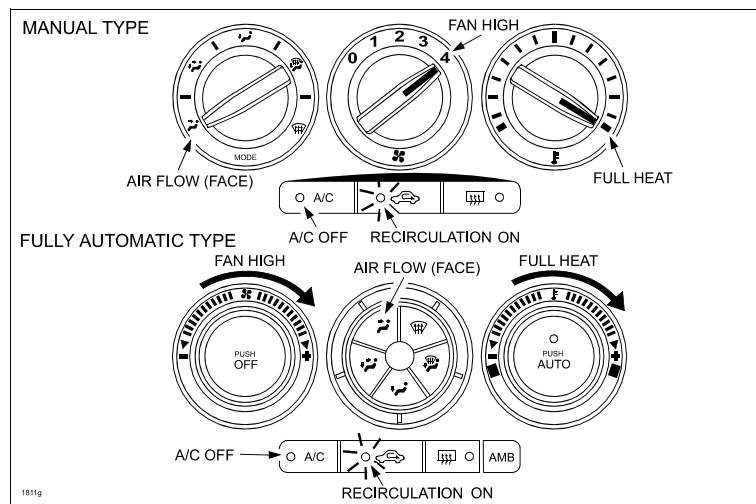
### 1. Dry the evaporator using the following procedure:

**WARNING:** Running the engine inside an enclosed area, such as a garage, is dangerous. Exhaust gas, which contains poisonous carbon monoxide, could easily enter the cabin. Loss of consciousness or even death could occur. Don't run the engine when inside an enclosed area.

A. Start the engine.

B. Set the HVAC controls as follows.

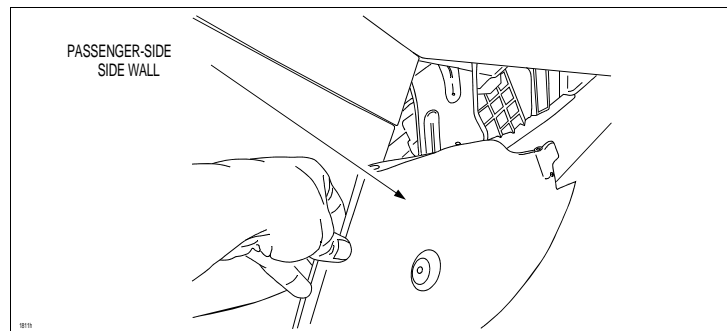
- RECIRCULATE
- FULL HEAT
- FAN HIGH
- A/C OFF
- AIRFLOW (FACE)



C. Open one window approximately one half inch.

D. Let the engine run for 15 minutes.

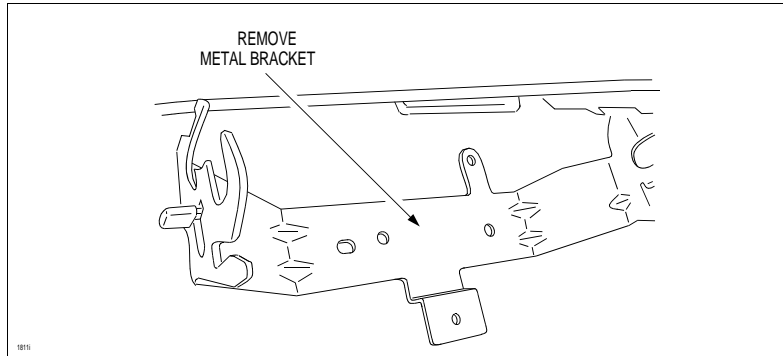
2. Stop the engine. Switch OFF the fan motor.
3. Record the radio preset stations.
4. Set the ignition to the LOCK position.
5. Disconnect the negative battery cable for 1 minute or more.
6. Remove the console sidewall on the passenger side footwell.



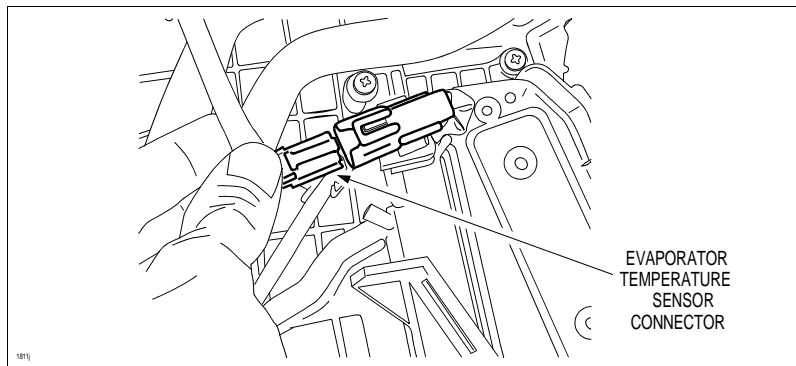
7. Remove the PJB and PJB bracket. Refer to appropriate Workshop Manual section 09-40 - PASSENGER JUNCTION BOX (PJB) REMOVAL/INSTALLATION.

**NOTE:** PJB module configuration does not need to be performed since the same module will be used.

8. Remove the metal bracket.



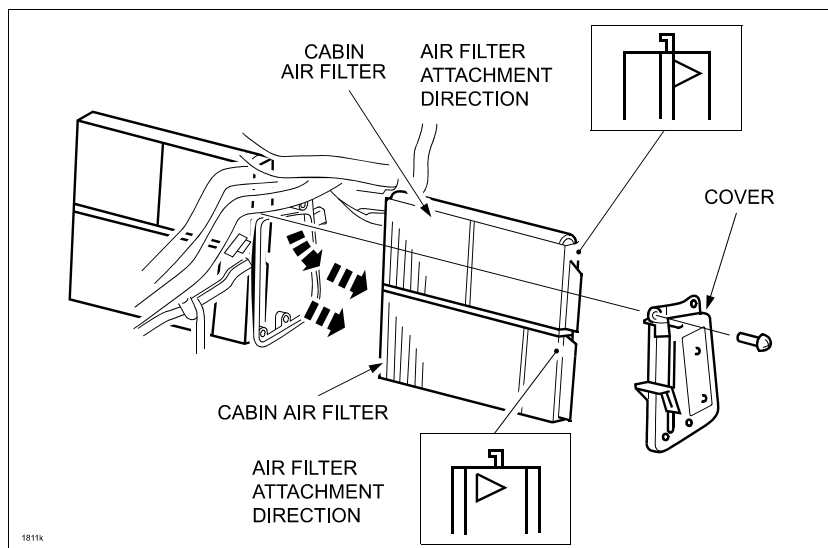
9. Disconnect the evaporator temperature sensor connector.



10. Disconnect the the Power MOS FET connector (full-auto climate control).

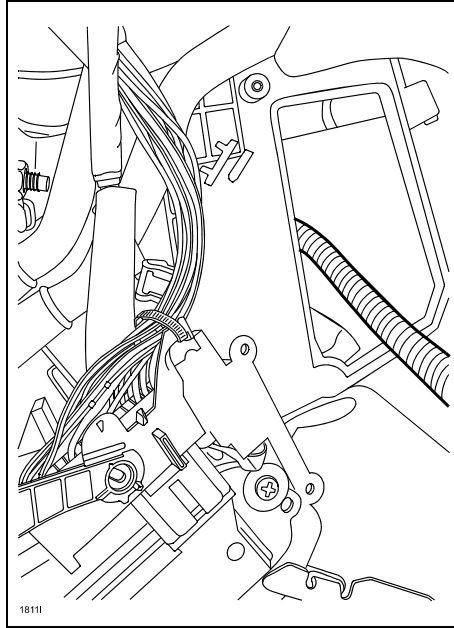
**WARNING: Power MOS FET may be extremely hot.**

11. Remove the cabin air filter cover, then remove the two cabin air filters.





12. Shake a bottle of the Mazda Air Cooling Coil Coating well and attach it to the applicator, then connect the applicator to compressed shop air.
13. Insert the applicator inside the hole. Point the nozzle tip in direction of the evaporator.



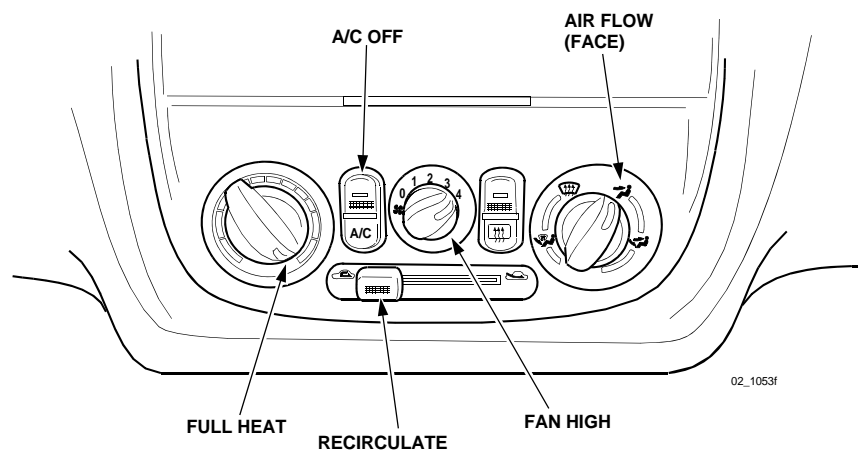
14. Begin spraying by gently moving the nozzle tip back and forth from the top to the bottom to evenly coat the evaporator.
15. When the bottle is empty, remove the applicator.  
**NOTE:** For reuse, clean the applicator by flushing a bottle of clean water through it.
16. Reinstall the cabin air filters, then the cabin air filter cover.
17. Connect the Power MOS FET connector.
18. Connect the evaporator temperature sensor connector.
19. Reinstall the metal bracket.
20. Reinstall the PJB and PJB bracket. Refer to appropriate Workshop Manual section 09-40 - PASSENGER JUNCTION BOX (PJB) REMOVAL/INSTALLATION.
21. Reinstall the console side wall.
22. Use STEP 1 to dry and cure product for 5 minutes instead of 15 minutes.
23. Note application date in service record.

## 1998-2003 Protege and Protege5

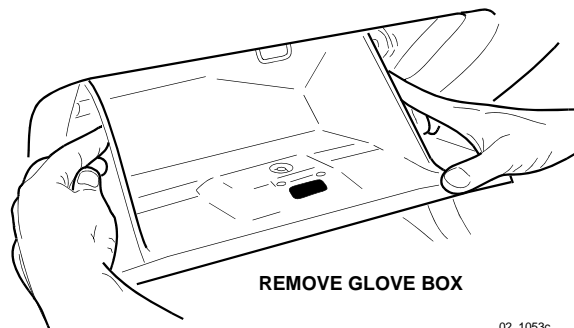
1. Dry the evaporator using the following procedure:

**WARNING:** Running the engine inside an enclosed area, such as a garage, is dangerous. Exhaust gas, which contains poisonous carbon monoxide, could easily enter the cabin. Loss of consciousness or even death could occur. Don't run the engine when inside an enclosed area.

- A. Start the engine.
- B. Set the HVAC controls as follows.
  - RECIRCULATE
  - FULL HEAT
  - FAN HIGH
  - A/C OFF
  - AIRFLOW (FACE)



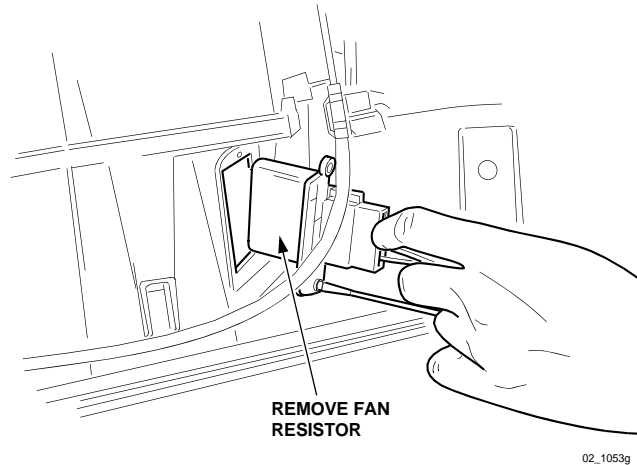
- C. Open one window approximately one half inch.
  - D. Let the engine run for 15 minutes.
2. Remove the glove box by:
    - A. Pushing the top stops inward (plastic will flex).



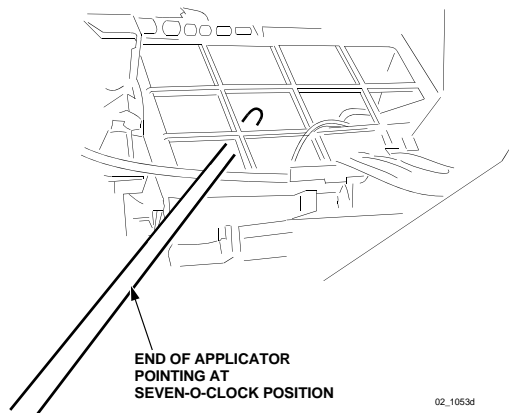
- B. At the left side hinge, lift the clip out of its seat.
  - C. Pull the right axle pin out towards the left side and remove the glove box.
3. Stop the engine. Switch OFF the fan motor.

4. Remove the fan resistor and inspect the evaporator for debris; remove debris using an appropriate vacuum cleaner

**WARNING: Blower motor resistor may be extremely hot.**



5. Reinstall the fan resistor.
6. Shake a bottle of the Mazda Air Cooling Coil Coating well and attach it to the applicator, then connect the applicator to compressed shop air.
7. Insert the applicator in the grille of the recirculation door. Point the nozzle tip in the direction of the evaporator.



8. Switch the fan motor ON.
9. Begin spraying by gently moving the nozzle tip in front of the evaporator surface. Spray the entire contents of the bottle in short bursts, 3 seconds ON, 3 seconds OFF onto the evaporator. A fine mist may exit from the ducts.
10. When the bottle is empty, switch the fan motor off, and remove the applicator.
 

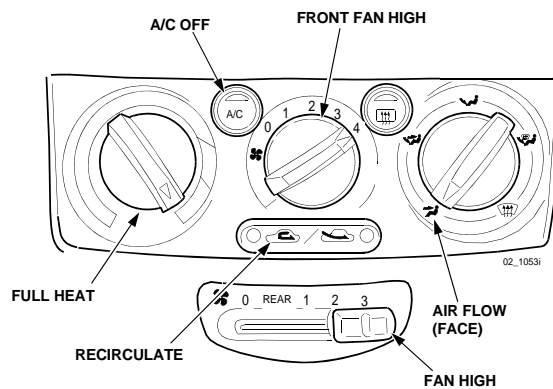
**NOTE:** For reuse, clean the applicator by flushing a bottle of clean water through it.
11. Reinstall the glove box.
12. Use STEP 1 to dry and cure the product for 5 minutes instead of 15 minutes.
13. Note application date in service record.

## 2000-2003 MPV Front AC

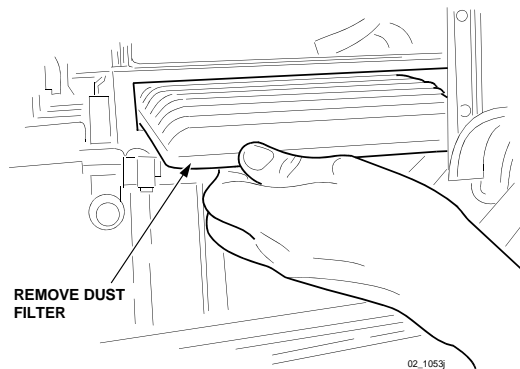
1. Dry the evaporator using the following procedure:

**WARNING:** Running the engine inside an enclosed area, such as a garage, is dangerous. Exhaust gas, which contains poisonous carbon monoxide, could easily enter the cabin. Loss of consciousness or even death could occur. Don't run the engine when inside an enclosed area.

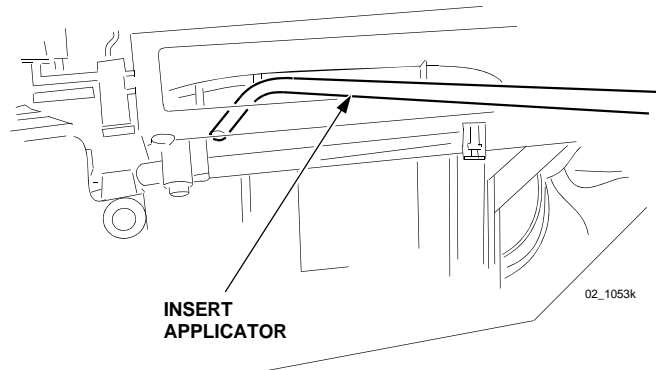
- A. Start the engine.
- B. Set the HVAC controls as follows:
  - RECIRCULATE
  - FULL HEAT
  - FRONT A/C FAN HIGH
  - REAR A/C FAN HIGH
  - A/C OFF



- C. Open one window approximately one half inch.
  - D. Let the engine run for 15 minutes.
2. Remove the glove box by:
    - A. Pushing the top stops inward.
    - B. At the right side hinge, lift the clip out of its seat.
    - C. Pull the left axle pin out towards the right side and remove the glove box.
  3. Remove the dust filter cover located over the fan assembly by depressing the clip on the inner side of the cover.
  4. Remove the dust filter by pulling it out of the filter housing. Discard the filter if dirty.



5. Shake a bottle of Mazda Air Cooling Coil Coating well and attach it to the applicator, then connect the applicator to compressed shop air.
6. Insert the applicator into the empty filter housing (approximately 4-1/4 inches from the tip of the applicator). Point the nozzle tip downwards and towards the center (approximately the 7 o'clock position).

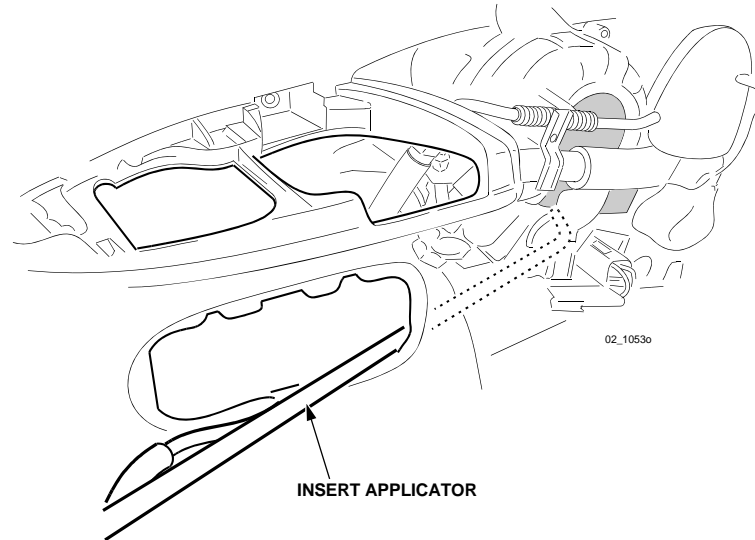


7. Spray the entire contents of the bottle in short bursts, 3 seconds ON, 3 seconds OFF into the rotating fan. A fine mist may exit from the ducts.
8. When the bottle is empty, stop the engine and remove the applicator.  
**NOTE:** For reuse, clean the applicator by flushing a bottle of clean water through it.
9. Install the previously cleaned or new filter as needed and reinstall the filter cover
10. Reinstall the glove box.
11. Use STEP 1 to dry and cure product for 5 minutes instead of 15 minutes.

### **2000-2003 MPV Rear AC (if equipped)**

12. Remove the right side cup holder.
13. Remove and disconnect the rear fan control panel and convenience tray, if equipped.
14. Be sure the HVAC controls are set per STEP 1B (see page 16).  
**NOTE:** The rear fan will operate even though the rear fan control panel is disconnected.
15. Shake a new bottle of Mazda Air Cooling Coil Coating well and attach it to the applicator, then connect the applicator to compressed shop air.

16. Begin inserting the applicator through the opening of the control panel/convenience tray front to back with the tip pointed up (for space). While inserting the probe, rotate the tip outward toward the fan air intake opening. When inserted (depth of insertion is approximately half the length of the applicator), point the tip side center into the cage without touching it.



17. Spray the entire contents of the bottle in short bursts, 3 seconds ON, 3 seconds OFF into the rotating fan. A fine mist may exit from the ducts.
18. When the bottle is empty, stop the engine and remove the applicator.  
**NOTE:** For reuse, clean the applicator by flushing a bottle of clean water through it.
19. Use STEP 1 to dry and cure the product for 5 minutes instead of 15 minutes.
20. While the product is drying, re-install the removed parts.
21. Note application date in service record.

## 1998 MPV Front A/C

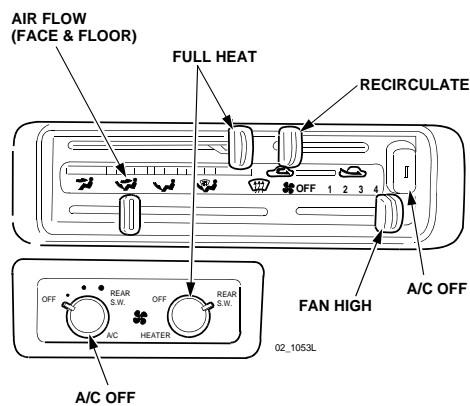
1. Dry the evaporator using the following procedure:

**WARNING:** Running the engine inside an enclosed area, such as a garage, is dangerous. Exhaust gas, which contains poisonous carbon monoxide, could easily enter the cabin. Loss of consciousness or even death could occur. Don't run the engine when inside an enclosed area.

A. Start the engine.

B. Set both front and rear (if applicable) HVAC controls as follows:

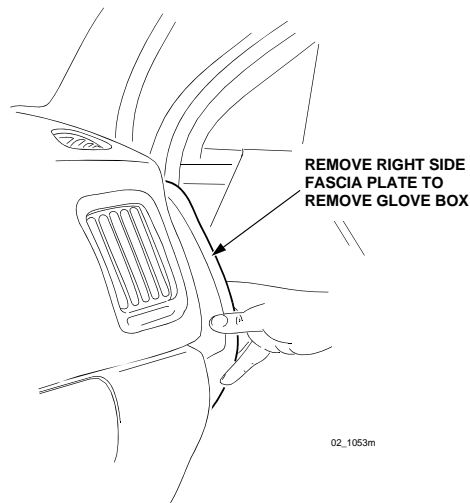
- RECIRCULATE
- FULL HEAT
- FAN HIGH
- A/C OFF
- AIRFLOW (FACE and FLOOR)



C. Open one window approximately one half inch.

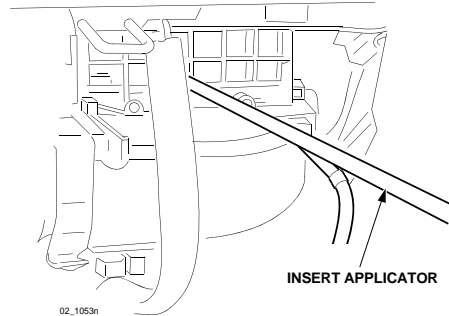
D. Let the engine run for 15 minutes.

2. Remove the glove box, removing the side fascia plate on the right door side.



3. Remove the six (6) phillips screws to remove the glove box assembly.

4. Shake a bottle of Mazda Air Cooling Coil Coating well and attach it to the applicator, then connect the applicator to compressed shop air.
5. Insert the applicator into the grille of the re-circulate door. Point the nozzle tip down and towards the center of the cooling unit (approximately 7 o'clock position).



6. Spray the entire contents of the bottle in short bursts, 3 seconds ON, 3 seconds OFF into the rotating fan. A fine mist may exit from the ducts.
7. When the bottle is empty, stop the engine and remove the applicator.  
**NOTE:** For reuse, clean the applicator by flushing a bottle of clean water through it.
8. Use STEP 1 to dry and cure product for 5 minutes instead of 15 minutes.

### **1998 MPV Rear A/C (if equipped)**

9. Remove the four (4) screws holding down the tailgate sill, then remove the sill.
10. Remove the one (1) screw holding down the left inner panel, then lift the complete panel out of the clips.
11. Be sure the HVAC controls are set per STEP 1B (see page 19).
12. Shake a new bottle of Mazda Air Cooling Coil Coating well and attach it to the applicator, then connect the applicator to compressed shop air.
13. Position the applicator with the nozzle tip pointing down into the air intake of the fan motor.
14. Spray the entire contents of the bottle in short bursts, 3 seconds ON, 3 seconds OFF into the rotating fan. A fine mist may exit from the ducts.
15. When the bottle is empty, stop the engine and remove.  
**NOTE:** For reuse, clean the applicator by flushing a bottle of clean water through it.
16. Use STEP 1 to dry and cure product for 5 minutes instead of 15 minutes.
17. While the product is drying, re-install removed parts.
18. Note application date in service record.



## 2001-2002 Millenia (with cabin air filter)

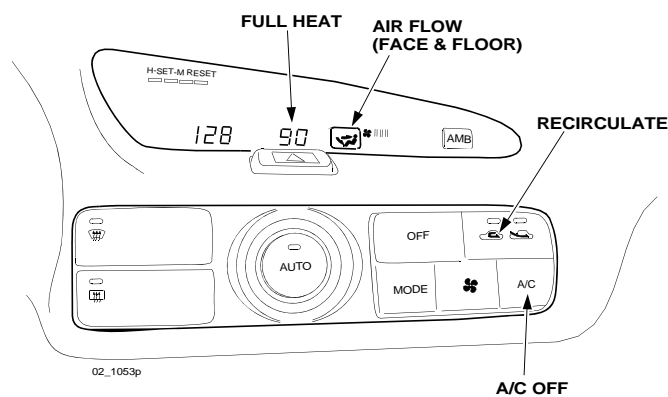
### 1. Dry the evaporator using the following procedure:

**WARNING:** Running the engine inside an enclosed area, such as a garage, is dangerous. Exhaust gas, which contains poisonous carbon monoxide, could easily enter the cabin. Loss of consciousness or even death could occur. Don't run the engine when inside an enclosed area.

A. Start the engine.

B. Set the HVAC controls as follows:

- RECIRCULATE
- FULL HEAT (display indicates 90°F)
- FAN HIGH
- A/C OFF (<blank>)
- AIRFLOW (FACE)

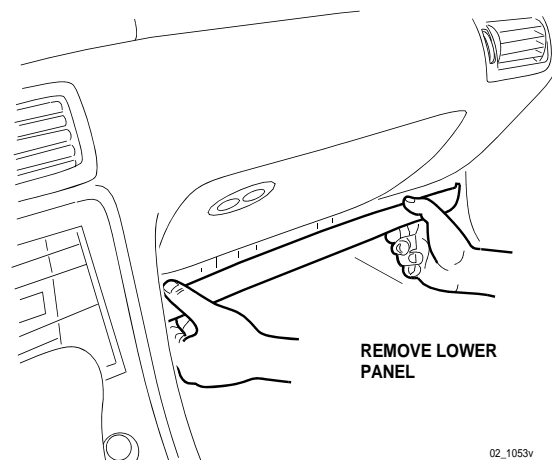


**NOTE:** There are three A/C positions on the LCD panel (A/C, A/C econ, <blank>). Depress the A/C button until <blank> is selected.

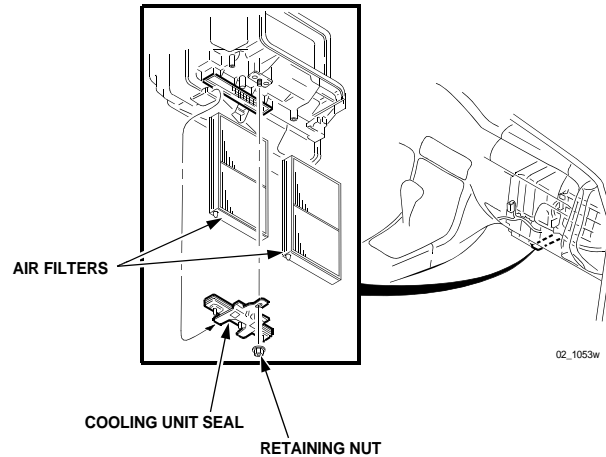
C. Open one window approximately one half inch.

D. Let the engine run for 15 minutes.

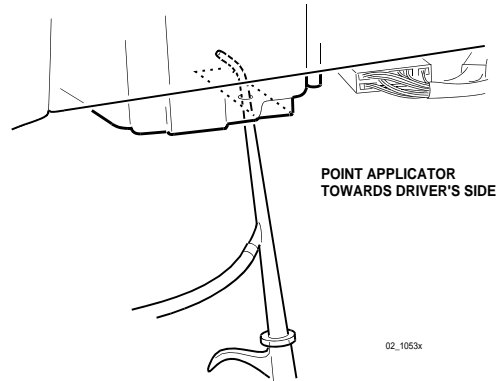
### 2. Remove the lower panel by pulling downward at both ends.



- Remove the 10 mm nut retaining the cabin air filter bracket.



- Remove the bracket by sliding downward.
- Remove the cabin air filters by sliding downward. Discard the filters if dirty.
- Cover the cabin air filter access hole with duct tape.
- Pierce a hole in the center of the duct tape with a knife.
- Shake a bottle of Mazda Cooling Coil Coating well and attach it to applicator, then connect the applicator to compressed shop air.
- Insert the applicator into the pierced hole through the duct tape.



- Point the nozzle tip in the direction of the driver's side.
- Spray the entire contents of the bottle in short bursts, 3 seconds ON, 3 seconds OFF into the rotating fan. A fine mist may exit from the ducts.
- When the bottle is empty, stop the engine and remove the applicator.
 

**NOTE:** For reuse, clean the applicator by flushing a bottle of clean water through it.
- Use STEP 1 to dry and cure the product for 5 minutes instead of 15 minutes.
- Remove the duct tape and install the previously cleaned or new filters as needed.
- Reinstall the cabin air filter bracket.
- Reinstall the lower panel.
- Note application date in service record.

## 1998-2000 Millenia

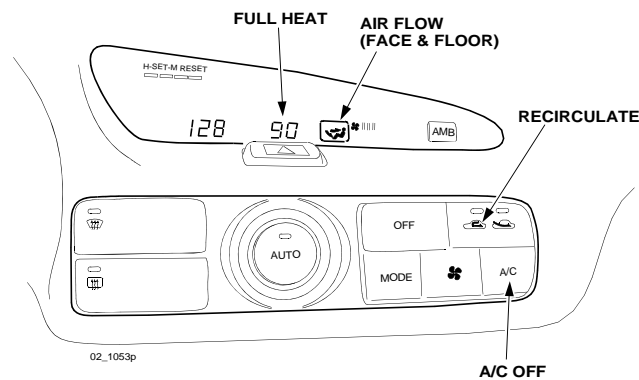
### 1. Dry the evaporator using the following procedure:

**WARNING:** Running the engine inside an enclosed area, such as a garage, is dangerous. Exhaust gas, which contains poisonous carbon monoxide, could easily enter the cabin. Loss of consciousness or even death could occur. Don't run the engine when inside an enclosed area.

A. Start the engine.

B. Set the HVAC controls as follows:

- RECIRCULATE
- FULL HEAT (display indicates 90°F)
- FAN HIGH
- A/C OFF (<blank>)
- AIRFLOW (FACE)



**NOTE:** There are three A/C positions on the LCD panel (A/C, A/C econ, <blank>). Depress the A/C button until <blank> is selected.

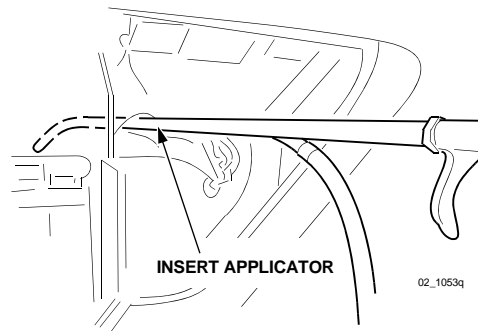
C. Open one window approximately one half inch.

D. Let the engine run for 15 minutes.

2. Remove the glove box by removing the two (2) screws on the bottom of the glove box assembly.

3. Shake a bottle of Mazda Cooling Coil Coating well and attach it to the applicator, then connect the applicator to compressed shop air.

4. Insert the applicator through the right side the glove box guide into the grille of the recirculation door. Point the nozzle tip downwards and towards the center (approximately 7 o'clock position).



5. Spray the entire contents of the bottle in short bursts, 3 seconds ON, 3 seconds OFF into the rotating fan. A fine mist may exit from the ducts.
6. When the bottle is empty, stop the engine and remove the applicator.  
**NOTE:** For reuse, clean the applicator by flushing a bottle of clean water through it.
7. Use STEP 1 to dry and cure the product for 5 minutes instead of 15 minutes.
8. While the product is drying, re-install the glove box.
9. Note application date in service record.

**2006-2008 MX-5**

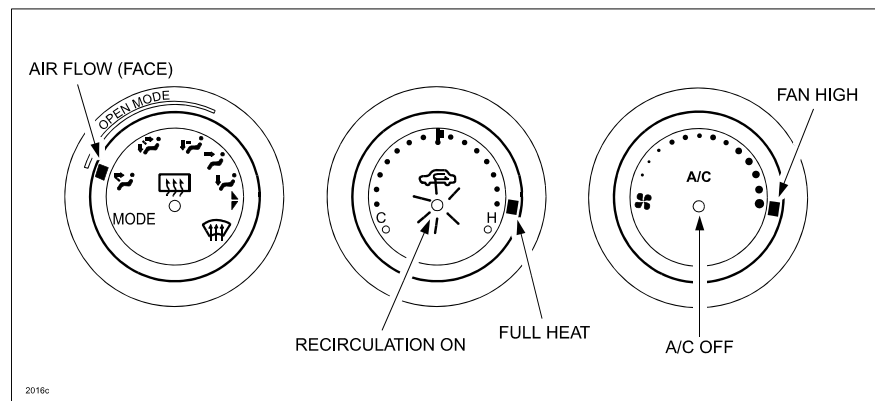
## 1. Dry the evaporator using the following procedure:

**WARNING:** Running the engine inside an enclosed area, such as a garage, is dangerous. Exhaust gas, which contains poisonous carbon monoxide, could easily enter the cabin. Loss of consciousness or even death could occur. Don't run the engine when inside an enclosed area.

A. Start the engine.

B. Set the HVAC controls as follows:

- Air source: re-circulate
- Heater control: full heat
- Fan: high
- A/C switch: off
- Airflow (Face)

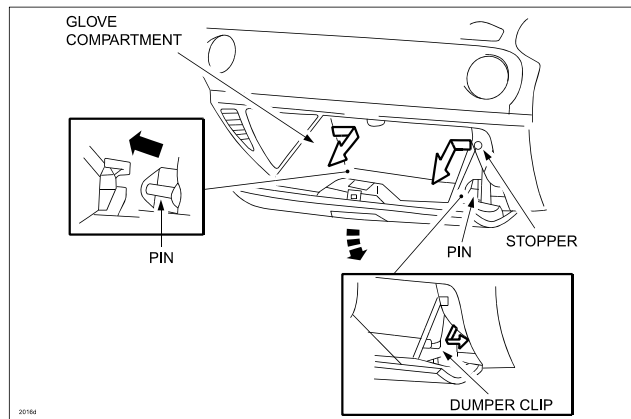


C. Open one window approximately one half inch.

D. Let the engine run for 15 minutes.

## 2. Remove the glove box by:

A. Remove the dumper clip.

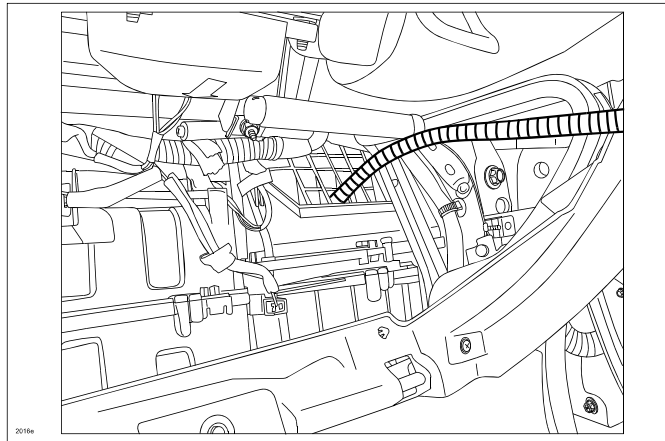


B. Bend the stoppers inward, then remove.

C. Turn the glove compartment downward and pull the pins.

## 3. Shake a bottle of Mazda Cooling Coil Coating well and attach it to the applicator, then connect the applicator to compressed shop air.

4. Insert the applicator in the grille of the the recirculation door. Point the nozzle tip downwards and towards center (approximately the 7 o'clock position).



5. Spray the entire contents of the bottle in short bursts, 3 seconds ON, 3 seconds OFF into the rotating fan. A fine mist may exit from the ducts.
6. When the bottle is empty, stop the engine and remove the applicator.  
**NOTE:** Clean the empty bottle by flushing it with clean water.
7. Use STEP 1 to dry and cure the product for 5 minutes instead of 15 minutes.
8. While the product is drying, re-install the glove box.
9. Note application date in service record.

## 1999-2005 Miata

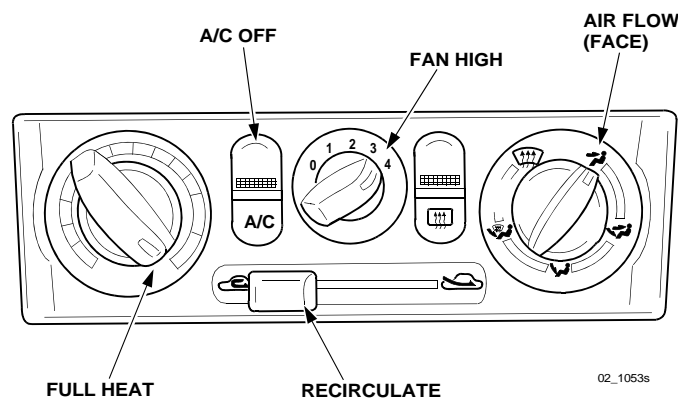
### 1. Dry the evaporator using the following procedure:

**WARNING:** Running the engine inside an enclosed area, such as a garage, is dangerous. Exhaust gas, which contains poisonous carbon monoxide, could easily enter the cabin. Loss of consciousness or even death could occur. Don't run the engine when inside an enclosed area.

A. Start the engine.

B. Set the HVAC controls as follows:

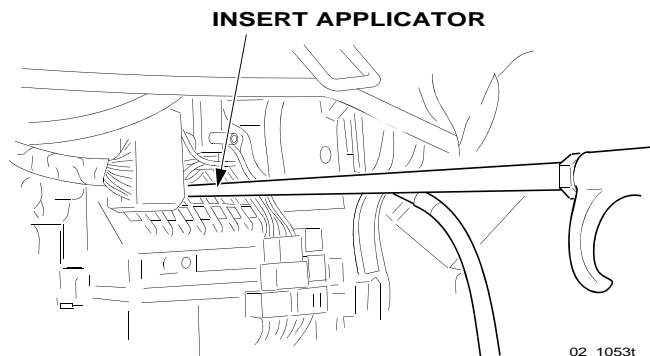
- Air source: re-circulate
- Heater control: full heat
- Fan: high
- A/C switch: off
- Airflow (Face)



C. Open one window approximately one half inch.

D. Let the engine run for 15 minutes.

2. Open the glove box and remove by lifting the left side and pulling the right side in a downward direction.
3. Shake a bottle of Mazda Cooling Coil Coating well and attach it to the applicator, then connect the applicator to compressed shop air.
4. Insert the applicator in the grille of the the recirculation door. Point the nozzle tip downwards and towards center (approximately the 7 o'clock position).



5. Spray the entire contents of the bottle in short bursts, 3 seconds ON, 3 seconds OFF into the rotating fan. A fine mist may exit from the ducts.

6. When the bottle is empty, stop the engine and remove the applicator.

**NOTE:** Clean the empty bottle by flushing it with clean water.

7. Use STEP 1 to dry and cure the product for 5 minutes instead of 15 minutes.

8. While the product is drying, re-install the glove box.

9. Note application date in service record.