

© 2009 Mazda Motor of America, Inc.

<b>Subject:</b> SQUEAK AND/OR RATTLE NOISE FROM FRONT SEAT BELT BUCKLE	<b>Bulletin No:</b> 08-003/09
	<b>Last Issued:</b> 05/22/2009

## BULLETIN NOTE

- This bulletin supersedes the previous bulletin 08-003/09 issued on 05/15/09. The WARRANTY INFORMATION has been revised.
- Changes are noted below in Red beside the change bar.

## APPLICABLE MODEL(S) / VINS

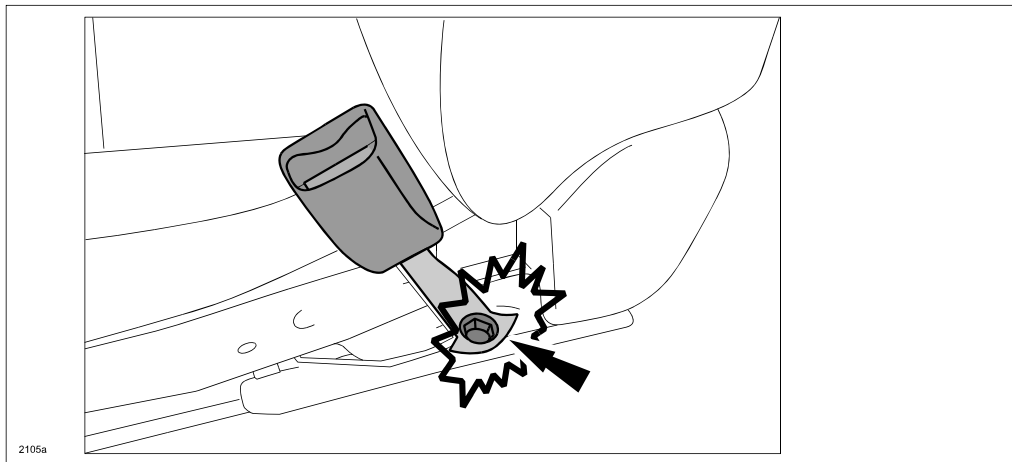
2006-2008 MX-5 vehicles with VINs lower than JM1NC\*\*\*\*8\*151063 (produced Feb. 20, 2008)

2006-2008 MAZDA5 vehicles with VINs lower than JM1CR\*\*\*\*8\*315050 (produced Feb. 20, 2008)

2007-2008 CX-9 vehicles with VINs lower than JM1TB\*\*\*\*8\*147730 (produced Feb. 1, 2008)

## DESCRIPTION

A squeak and/or rattle noise may come from the driver side seat while driving on slightly uneven road surfaces. Due to assembly variation, the bolt and washer may come in contact with each other causing the noise.

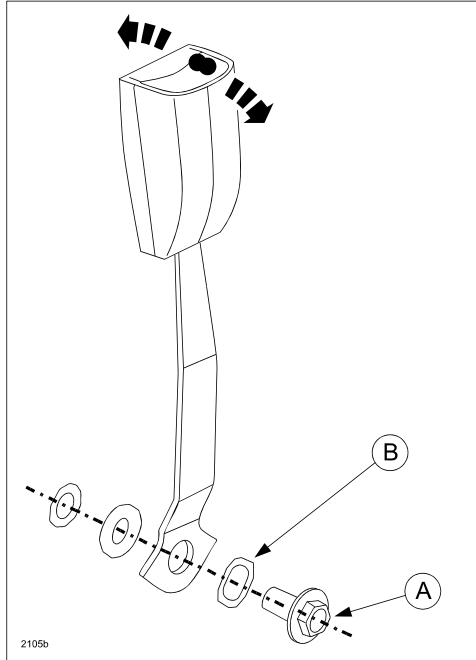


The diameter of the bolt flange has been increased during mass-production.

Customers having this concern should have their vehicle repaired using the following repair procedure.

## REPAIR PROCEDURE

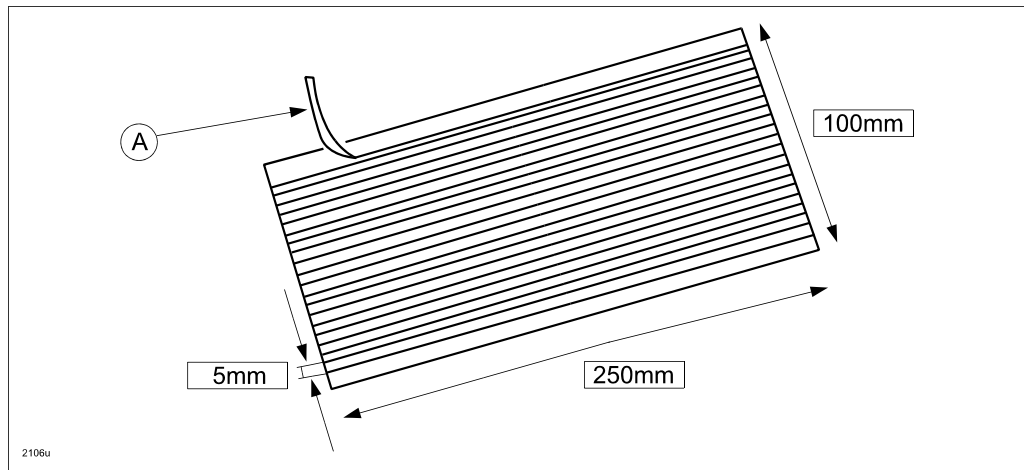
1. Verify the customer concern by moving the buckle left and right.
  - If the noise is heard, replace the bolt (A) with a new one.  
**Tightening Torque: 28.2 - 57.8 ft. lbf. (38.2 - 78.4 Nm, 3.9 - 7.99 kgf.-m)**
  - If the noise is not heard, refer to the Workshop Manual for further diagnostics.



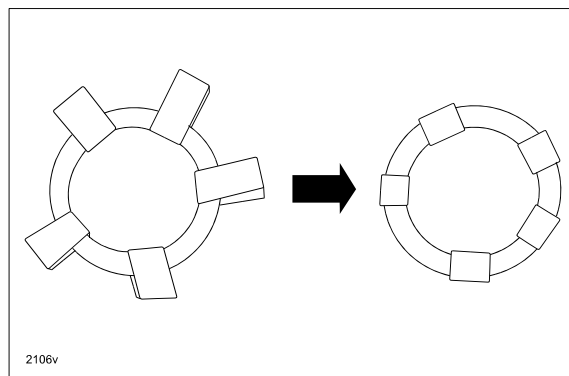
**NOTE:** Ensure wave washer (B) is installed.

If an urgent repair is necessary and the bolt is not available, repair using the following procedure.

1. From Noise Repair Kit, peel off a 5mm strip pad (A).



2. Wrap strip pads around wave washer (B) at five (5) locations; cut off any surplus.



3. Reinstall removed parts.

**NOTE:**

- Do not apply any grease.
- Ensure the buckle can move properly.

**PART(S) INFORMATION**

Model	Part Number	Description	Qty.	Notes
MX-5 / Mazda5	L528-57-811	Bolt	1	One Seat
CX-9	TD11-57-811	Bolt	1	One Seat
---	K001-W0-225	Noise Repair Kit	1	---

## WARRANTY INFORMATION

### NOTE:

- This warranty information applies only to verified customer complaints on vehicles eligible for warranty repair.
- This repair will be covered under Mazda's New Vehicle Limited Warranty term.
- Additional diagnostic time cannot be claimed for this repair.

	Mazda5	MX-5
Warranty Type	A	A
Symptom Code	82	82
Damage Code	9B	9B
Part Number Main Cause	L528-57-811	L528-57-811
Quantity	1, 2 or 0	1, 2 or 0
Operation Number / Labor Hours:	XXE01XRX / 0.4 Hrs. (One side) XXE01ARX / 0.6 Hrs. (Both sides)	XXE01XRX / 0.3 Hrs. (One side) XXE01ARX / 0.4 Hrs. (Both sides)

	CX-9
Warranty Type	A
Symptom Code	82
Damage Code	9B
Part Number Main Cause	TD11-57-811
Quantity	1, 2 or 0
Operation Number / Labor Hours:	XXE01XRX / 0.4 Hrs. (One side) XXE01ARX / 0.6 Hrs. (Both sides)