

© 2006 Mazda Motor of America, Inc.

Subject: SEALANT APPEARS BETWEEN CASE AND EXTENSION HOUSING - SERVICE TIP	Bulletin No: 05-003/06
	Last Issued: 5/8/2006

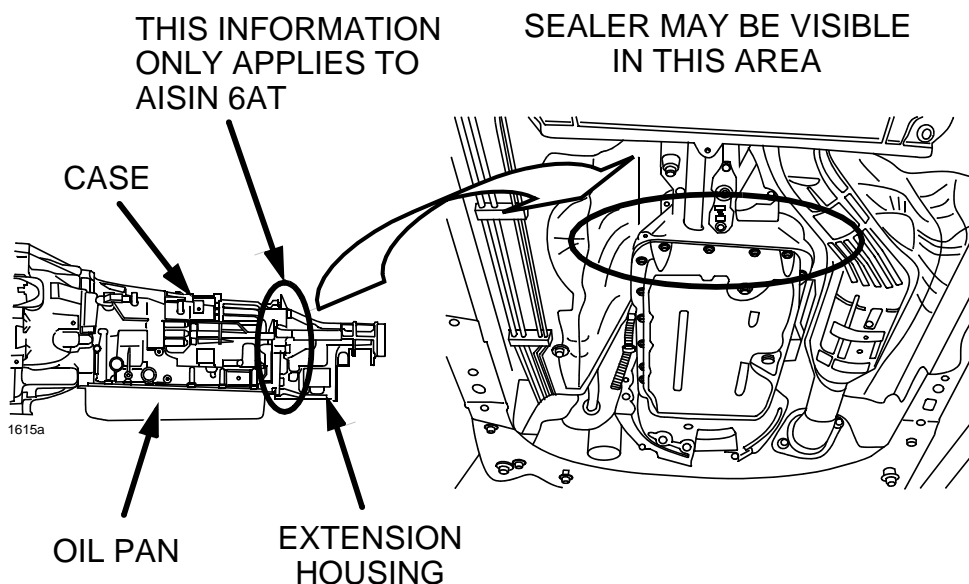
APPLICABLE MODEL(S)/VINS

2006 MX-5 vehicles equipped with 6-Speed Automatic Transmission produced after March 10, 2006

2006 RX-8 vehicles equipped with 6-Speed Automatic Transmission

DESCRIPTION

Some vehicles with 6-speed automatic transmissions there may be what appears to be excessive sealant around the joint between the automatic transmission case and the extension housing. This is most noticed around the lower 2 bolts attaching the extension housing to the transmission case. This sealer has been applied to this area to prevent ATF seepage and is NOT a cause for concern or repair.



CONSUMER NOTICE: The information and instructions in this bulletin are intended for use by skilled technicians. Mazda technicians utilize the proper tools/equipment and take training to correctly and safely maintain Mazda vehicles. These instructions should not be performed by "do-it-yourselfers." Customers should not assume this bulletin applies to their vehicle or that their vehicle will develop the described concern. To determine if the information applies, customers should contact their nearest authorized Mazda dealership. Mazda North American Operations reserves the right to alter the specifications and contents of this bulletin without obligation or advance notice. All rights reserved. No part of this bulletin may be reproduced in any form or by any means, electronic or mechanical---including photocopying and recording and the use of any kind of information storage and retrieval system ---without permission in writing.