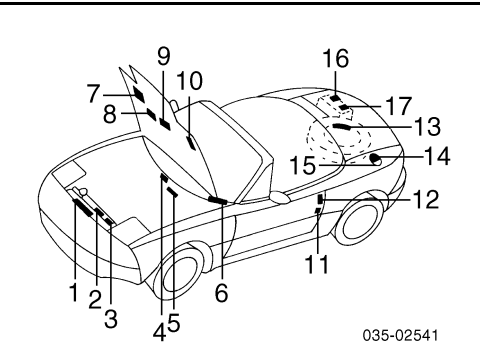


MAZDA MIATA 1990-97

MAZDA MIATA 1990-97	
SECTION INDEX	
A/C /HEATER	221
A/C REFRIGERANT CAPACITIES	221
ABS/BRAKES	223
AIR BAG SYSTEM	222
AIR CLEANER	225
BACK WINDOW	230
CENTER CONSOLE	227
CLEAR COAT IDENTIFICATION	220
CONVERTIBLE TOP	229
COOLING	221
COWL & DASH	226
CRUISE CONTROL SYSTEM	222
ELECTRICAL	226
EMISSION SYSTEM	226
ENGINE MOUNTS	225
ENGINE/TRANS	225
EXHAUST	226
FRONT BUMPER	220
FRONT DOOR	228
FRONT FENDER	222
FRONT INNER STRUCTURE	222
FRONT LAMPS	220
FRONT STEERING LINKAGE/GEAR	224
FRONT SUSPENSION	223
FUEL TANK	231
HARDTOP	230
HOOD	221
INFORMATION LABELS	220
INSTRUMENT PANEL	227
LUGGAGE LID	231
PAINT CODE LOCATION	220
QUARTER PANEL	230
REAR BODY	231
REAR BUMPER	232
REAR DRIVE AXLE	231
REAR LAMPS	232
REAR SUSPENSION	231
ROCKER/PILLARS/FLOOR	227
SEAT	228
SEAT BELTS	228
SPECIAL CAUTIONS	220
STEERING PUMP	224
STEERING WHEEL/COLUMN	224
UNDERHOOD DIMENSIONS	222
WHEEL	223
WINDSHIELD	226

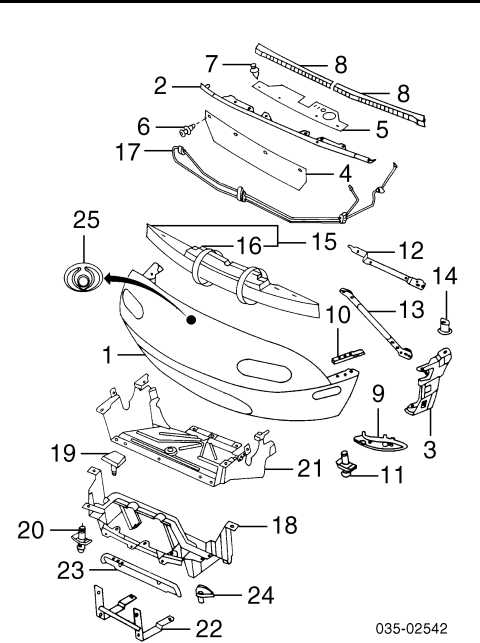
SPECIAL CAUTIONS	
AIR BAGS	
Refer to Procedure Explanation 29 for Supplemental Restraint/Air Bag Special Cautions.	
SUSPENSION	
Manufacturer advises that some new fasteners must be used whenever old fasteners are loosened or removed.	
PAINT CODE LOCATION	
Paint code located on left lock pillar.	
CLEAR COAT IDENTIFICATION	
All metallic colors are clear coat.	
INFORMATION LABELS	
Illustration Located in Next Column	

1 Label, Headlamp	NA04-51-S02
2 Label, Radiator Caution	0488-15-201
3 Label, Fan Caution	B660-15-031
4 Label, Model	90-93 8595-69-011B 94 NA01-69-068A 95-97 B001-69-D51
5 Label, Air Bag Caution	90-93 NA01-57-K92 94 KA78-57-K91
6 Label, VIN	NA01-69-068A



- 7 Label, Emission
1990-91
w/Calif Emission NA01-69-036D
w/o Calif Emission NA04-69-036C
1992
w/Calif Emission NA01-69-036E
w/o Calif Emission NA04-69-036D
1993
w/Calif Emission NA01-69-036G
w/o Calif Emission NA04-69-036E
1994
USA NA75-69-036
Canada
English N.A.
French N.A.
1995
USA NB11-69-036
Canada
English N.A.
French N.A.
1996-97
USA NB38-69-036
Canada
English N.A.
French N.A.
- 8 Label, Caution 90-93 NA01-57-K91
94 KA78-57-K91
- 9 Label, Vacuum Diaphragm 90-93 NA01-69-044
94-96 NA75-69-044
97 NB38-69-044
- 10 Label, A/C
11 Label, Tire
12 Label, Safety Panel
Canada N.A.
- 13 Label, Spare Tire
English BF68-69-073B
French N.A.
- 14 Label, Fuel Warning KA10-69-D61A
15 Label, Unleaded Fuel UB40-69-C61
16 Label, Battery FA03-69-C72A
17 Label, Battery FA01-69-064B

FRONT BUMPER

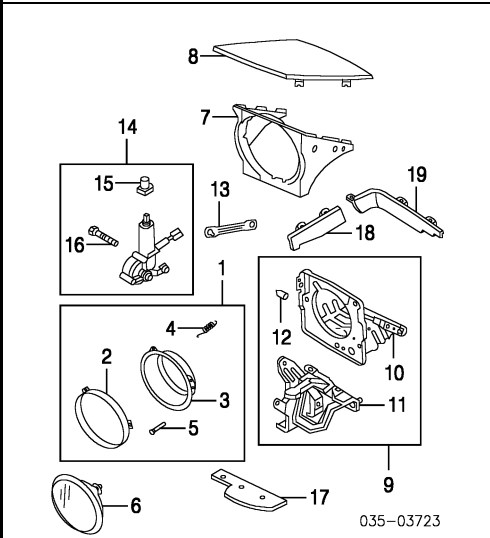


- 1 Cover, Front (P) NAY1-50-030A
(P) Paint to Match
- 2 Retainer, Center Cover NA01-50-0K0B
3 Retainer, Outer R NA01-50-0J1
L NA01-50-0J5
- 4 Seal, Lower 90-96 NA75-50-0K6A
97 N.A.
- 5 Seal, Upper NA75-50-0K7A

- 6 Fastener, Lwr Seal (8) 90-96 UB39-50-795
97 N.A.
- 7 Fastener, Upper Seal (4) NA01-56-145
- 8 Plate, Center Support R NA01-50-2A0B
L NA01-50-1AYC
R NA01-50-1B0
L NA01-50-1C0
- 9 Plate, Outer Support L NA01-50-0G9
R/L NA01-50-233
- 10 Seal, Cover R/L BF82-50-233
- 11 Fastener, Cover R/L NA01-50-1ZYB
L NA01-50-160
- 12 Bracket, Upper R/L B092-50-032
- 13 Bracket, Upper L NA01-50-070
- 14 Slide, Bumper NA01-50-114
- 15 Bar Assy, Reinforcement NA01-50-114
- 16 Spacer, Reinf Bar
†Included w/Reinforcement Bar Assy
- 17 Pipe, Strg Return/Cooler-See Steering Pump Section
- 18 Guide, Air
w/ABS NA23-50-A20A
w/o ABS NA01-50-A20B
- 19 Cover, Air Guide (3) NA01-50-101A
- 20 Fastener (2) BF67-50-033
- 21 Cover, Under NA01-56-111F
- 22 Frame, License NA01-50-180A
- 23 Protector, License FB01-50-144
- 24 Bracket, Frame R/L NA01-50-18X
- 25 Emblem
1990-93
Light Gray NA04-51-711-14
Dark Gray NA04-51-711-18
1994-97 BB1H-51-731

FRONT LAMPS

HEADLAMP

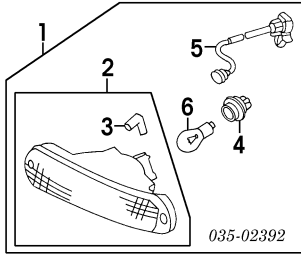


- 1 Lamp Assy R 8BN1-51-030A
L 8BN1-51-040A
- 2 Ring, Retaining† R/L NA01-51-033A
3 Ring, Mounting† R NA01-51-032
L NA01-51-034
- 4 Spring, Adjust† R/L NA01-51-046
- 5 Screw, Adjust† (2/Side) R/L NA01-51-037
†Included w/Lamp Assy
- 6 Sealed Beam R/L 0000-11-6024-HL
- 7 Bezel, Headlamp R NA01-50-741
L NA01-50-751
- Screw, Headlamp (4/Side) R/L B481-50-75X
- 8 Lid, Lamp R NA01-51-SH1B
L NA01-51-SH2B
- Screw, Lid (4/Side) 90-93 R/L 9074-00-512
94-97 R/L BS34-51-S25A
- 9 Hinge Assy R NA01-51-SC0B
L NA01-51-SD0B
- 10 Housing, Hinge† R NA01-51-SC5B
L NA01-51-SD5B
- 11 Bracket, Hinge† R NA01-51-SC1A
L NA01-51-SD1A
- 12 Cap, Hinge† R/L KA01-51-SD6
†Included w/Hinge Assy
- 13 Rod, Retractable R/L NA01-51-SA5
- 14 Motor Assy R NA01-51-SAX
L NA01-51-SBX
- 15 Boot, Motor† R/L NA01-51-669
- 16 Bolt, Motor† R/L FB01-51-665
†Included w/Motor Assy
- 17 Protector, Lamp Front R/L NA01-51-SJ2A
- 18 Protector, Lamp L NA01-51-SK2
- 19 Protector, Lamp Rear R NA01-51-SE1
L NA01-51-SE2

PARK/SIGNAL LAMP

- 1 Lamp Assy R 8BN1-51-060

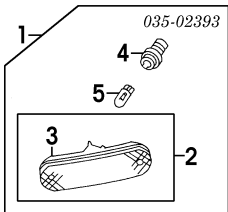
MAZDA MIATA 1990-97



035-02392

- 2 Lens & Housing Assy¶
L 8BN1-51-070
R NA01-51-06XA
L NA01-51-07XA
 - 3 Tube, Lamp¶ (a)
R/L NA01-51-069
(a) Included w/Lens & Housing Assy
 - 4 Socket¶
R/L NA01-51-064
 - 5 Wire¶
USA-Serviced w/Socket
Canada R/L N.A.
 - 6 Bulb¶
R/L 0000-11-0194
- ¶Included w/Lamp Assy

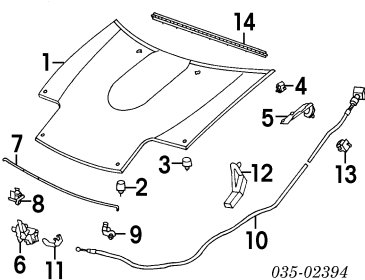
SIDE MARKER LAMP



035-02393

- 1 Lamp Assy
R 8BN1-51-120
L 8BN1-51-130
 - 2 Lens & Body Assy¶
90 R NA01-51-5E1C
L NA01-51-5F1C
91-97 R NA01-51-5EXA
L NA01-51-5FXA
 - 3 Gasket, Lens¶ (a)
R/L NA01-51-5D3A
(a) Included w/Lens & Body Assy
 - 4 Socket¶
R/L NA01-51-5E2
 - 5 Bulb¶
R/L 0000-11-1157-NA
- ¶Included w/Lamp Assy

HOOD



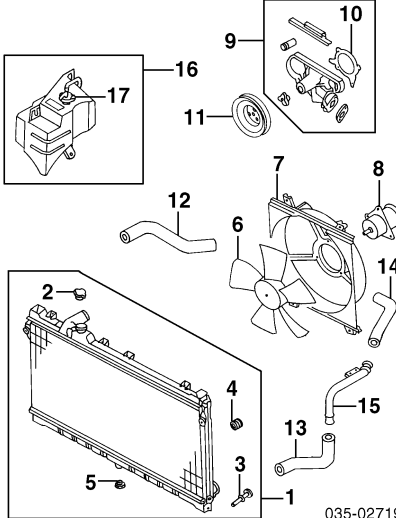
035-02394

- 1 Panel, Hood
NAY1-52-310D
- 2 Cushion, Front Rubber
R/L FB01-56-787B
- 3 Cushion, Center Rubber
R/L FB01-56-786A
- 4 Cushion, Rear Rubber
R/L NA01-56-78X
- 5 Hinge
R NA01-52-410D
L NA01-52-420D
- 6 Latch
NA01-56-620C
- 7 Rod, Support
90-93 NA01-56-650
94-97 NA75-56-650A
- 8 Holder, Rod Front
G030-56-693A
- 9 Holder, Rod Rear
B092-52-518
- 10 Cable, Release
NA01-56-720D
- 11 Fastener, Cable
LA01-56-631
- 12 Holder, Cable
H115-45-916A
- 13 Clip, Cable
G030-67-519
- 14 Seal, Cowl
NA01-56-760

COOLING

Illustration Located in Next Column

- 1 Radiator Assy



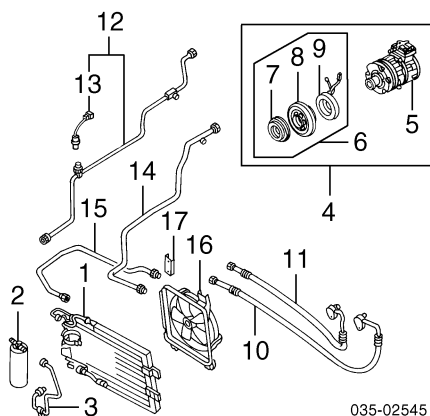
035-02719

- Man Trans 90-93 BPE8-15-200
94-97 BPE8-15-200
 - Auto Trans 90-93 B64J-15-200C
94-97 BPE9-15-200
 - 2 Cap, Radiator¶
D316-15-205
 - 3 Cock, Drain¶
NF01-15-203
 - 4 Mount, Rad Upper¶
R/L N326-15-202
 - 5 Mount, Rad Lower¶
R/L B61P-15-202
- ¶Included w/Radiator Assy
- 6 Fan, Cooling
Man Trans 90-91 B61P-15-140
92-97 B61P-15-140A
 - Auto Trans 90-91 B6S8-15-140A
92-97 B64J-15-140
B61P-15-210B
 - 7 Shroud, Fan
BPE8-15-150
 - 8 Motor, Fan
Man Trans B64J-15-150A
Auto Trans 8AB8-15-010
 - 9 Pump Set, Water
90-94 8ABB-15-010A
95-97 8ABF-15-116
 - 10 Gasket, Pump¶
90-93 B6BF-15-116
94-97 B6BF-15-116
- ¶Included w/Water Pump Set
- 11 Pulley, Pump
90-93 B366-15-131A
94-97 B3C7-15-131
 - 12 Hose, Rad Upper
90-93 B61P-15-186
94-97 BPE8-15-186
 - 13 Hose, Frt Lower Rad
90-93 B61P-15-185
94-97 B61P-15-185
 - 14 Hose, Rear Lower Rad
B61P-15-184
 - 15 Pipe, Lower Rad
B61P-15-190
 - 16 Tank Assy, Coolant
B61P-15-350D
 - 17 Cap, Tank¶
B61P-15-355A
- ¶Included w/Coolant Tank Assy

A/C REFRIGERANT CAPACITIES

- A/C R-12 Refrigerant Capacity
1990-93: 28 Ozs (1.75 Lbs)
- A/C R-134 Refrigerant Capacity
1994-97: 21.2 Ozs (1.32 Lbs)

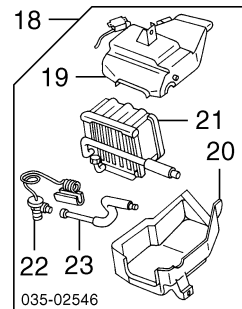
A/C /HEATER



035-02545

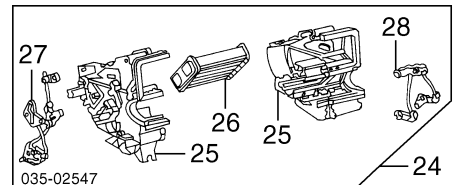
- 1 Condenser
NA75-61-480
- 2 Receiver/Drier
90-93 NA01-61-500A
94-97 NA75-61-500
- 3 Pipe, Receiver/Drier
NA75-61-467
- 4 Compressor Assy
90-93 NA02-61-450A
94-97 NA75-61-450

- 5 Compressor¶
90-93 NA02-61-K00
94-97 NA75-61-K00
 - 6 Clutch Assy, Magnet¶
90-93 NA02-61-L10
94-97 NA75-61-L10
 - 7 Armature, Clutch¶ (a)
90-93 F065-61-611
94-97 NA75-61-L11
 - 8 Pulley, Clutch¶ (a)
90-93 NA02-61-L12
94-97 NA75-61-L12
 - 9 Coil, Magnet¶ (a)
90-93 FD15-61-L13
94-97 NA75-61-113
- ¶Included w/Compressor Assy
(a) Included w/Magnet Clutch Assy
- 10 Hose, Suction
90-93 NA01-61-461C
94-97 NA75-61-461
 - 11 Hose, Pressure
90-93 NA01-61-462D
94-97 NA75-61-462
 - 12 Tube Assy, Upper A/C
90-93 NA01-61-46X
94-97 NA75-61-46XA
 - 13 Switch, Pressure¶
90-93 NA01-61-503
94-97 GB6H-61-503
- ¶Included w/Upper A/C Tube Assy
- 14 Tube, Lower A/C
90-93 NA01-61-468A
94-97 NA75-61-468
 - 15 Pipe, Condenser Pressure
1990-93 NA02-61-466C
1994-97-Serviced w/Pressure Hose
 - 16 Fan, Condenser
NA01-61-710
 - 17 Bracket, Mounting
NA01-61-4H1



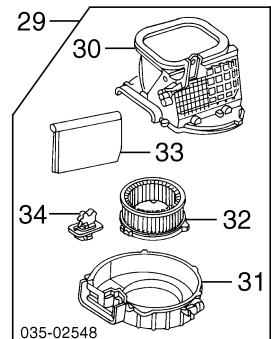
035-02546

- 18 Evaporator Assy
90-93 NA75-61-520D
94-97 NA75-61-520D
 - 19 Case, Evap Upper¶
90-93 NA01-61-J20
94-97 NA01-61-J01A
 - 20 Case, Evap Lower¶
NC10-61-J02
 - 21 Core, Evaporator¶
NA75-61-520D
 - 22 Valve, Expansion¶
90-93 NA01-61-J14
94-97 NA75-61-J14
 - 23 Pipe, Valve¶
NA01-61-J15
- ¶Included w/Evaporator Assy



035-02547

- 24 Heater Assy
90-93 NA01-61-130A
94-97 NC10-61-130F
 - 25 Case, Heater¶
R/L NA01-61-A01-2
 - 26 Core, Heater¶
90-93 NA01-61-A10
94-97 NA75-61-A10
 - 27 Linkage, Heater Air Flow¶
NA01-61-A30A
 - 28 Linkage, Heater Temperature¶
NA01-61-A20
- ¶Included w/Heater Assy



035-02548

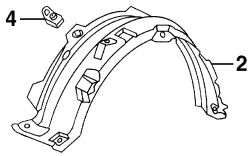
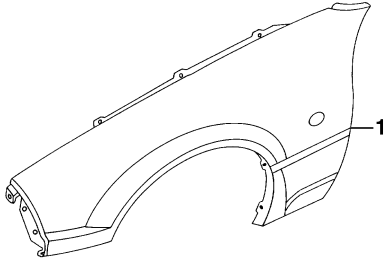
- 29 Blower Assy
90-93 NA01-61-140A
94-97 NC11-61-140A
- 30 Case, Upper¶
90-93 NA01-61-B01
94-97 NA75-61-B01
- 31 Case, Lower¶
NA01-61-B02
- 32 Motor, Blower¶
NA01-61-B10

MAZDA MIATA 1990-97

A/C /HEATER Cont'd

- 33 Flap, Vent[†]—Serviced w/Blower Assy
- 34 Resistor[†] NA01-61-B15
[†]Included w/Blower Assy

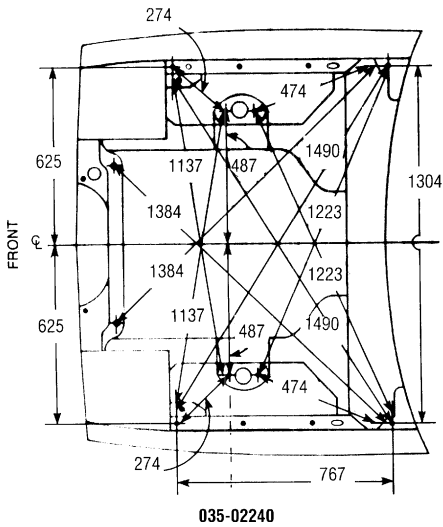
FRONT FENDER



035-02720

- 1 Fender (HSLA) R NAY1-52-110
L NAY1-52-210
- 2 Liner, Fender R NA01-56-131A
L NA01-56-141C
- 3 Fastener, Liner (5/Side) R/L NA01-56-145
- 4 Clip, Liner Screw (5/Side) R/L LA01-56-135

UNDERHOOD DIMENSIONS



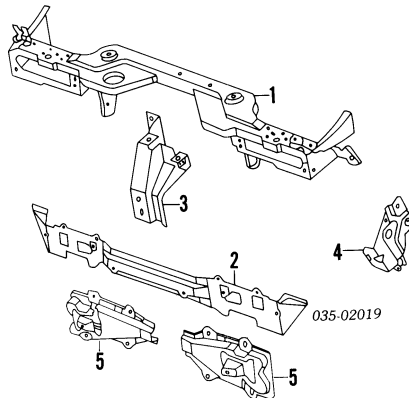
035-02240

FRONT INNER STRUCTURE

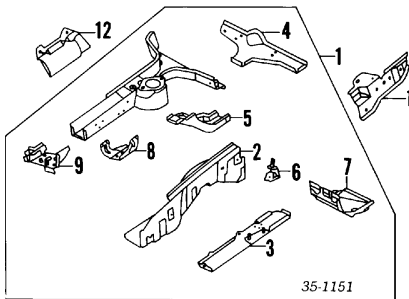
FRONT

Illustration Located in Next Column

- 1 Bar, Upper Tie 90-93 NA01-53-100F
94-97 NA75-53-100
- 2 Bar, Lower Tie NA01-53-16XC
- 3 Support, Latch NA01-56-221B
- 4 Bracket, Radiator R B61P-15-240A
L B61P-15-250A
- 5 Bracket, Stay R/L NA01-54-180



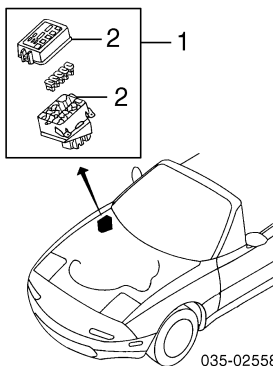
SIDE



35-1151

- 1 Apron Assy (a) 90-93 R NAY1-53-200D
L NAY1-54-200D
94-97 R NAY1-53-200D
L NAY2-54-200
- 2 Panel, Apron[†] (a) R NA01-53-210F
L NA01-54-210G
(a) Use w/Part #B001-56-051
Cover[†] (b) B001-56-051
(b) As Required
- 3 Rail, Upper Front[†] R NA01-53-37Y
L NA01-54-37Y
- 4 Rail, Upper Rear[†] 90-96 R NA01-53-37ZB
L NA01-54-37ZA
97 R NA01-53-37ZB
L NA01-54-37ZD
- 5 Reinforcement[†] R NA01-53-380
L NA01-54-380B
- 6 Bracket, Air Cleaner[†]
Left Side NA01-54-36X
- 7 Box, Torque[†] R NA01-53-391
L NA01-54-391
- 8 Bracket, Stabilizer[†] R N067-53-330
L N067-54-330
- 9 Reinf, Tie Down Hook[†] R NA01-53-32XB
L NA01-54-32XC
[†]Included w/Apron Assy
- 10 Hook, Tie-Down R NA01-56-34XD
L NA01-56-34YD
- 11 Reinf, Apron R NA01-53-591
L NA01-54-590
- 12 Shield, Splash NA01-56-112

ELECTRICAL COMPONENTS

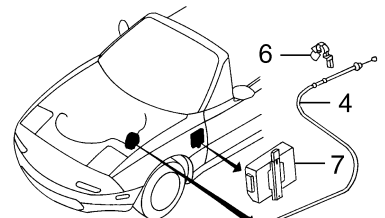


035-02558

- 1 Block Assy, Main Fuse 90 NA01-66-760B
91-93 NA23-66-760

- 2 Cover, Fuse Block[†] 94 NA80-66-760
95-97 NB11-66-760
90 NA02-66-762B
91-93 NA23-66-762
94 NA80-66-762
95-97 NB11-66-762
[†]Included w/Main Fuse Block Assy

CRUISE CONTROL SYSTEM

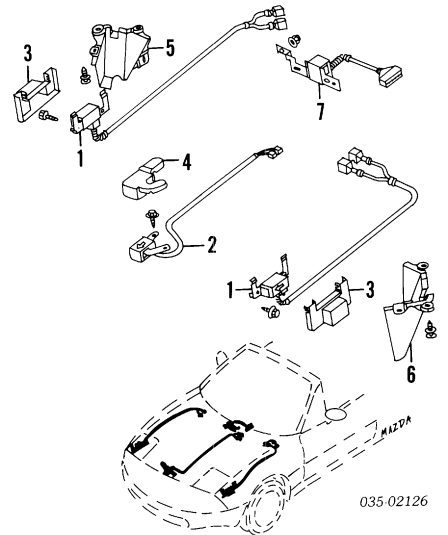


035-02549

- 1 Actuator, Cruise Control LA01-66-310A
- 2 Brkt, Actuator Front NA01-66-3A3A
- 3 Brkt, Actuator Rear NA01-66-3A2A
- 4 Wire, Cruise Control NA01-66-311A
- Clip, Cruise Control Wire
- 5 Front LA01-66-3A1
- 6 Rear UB39-61-479A
- 7 Control, Cruise NA01-66-320

AIR BAG SYSTEM

1990-94



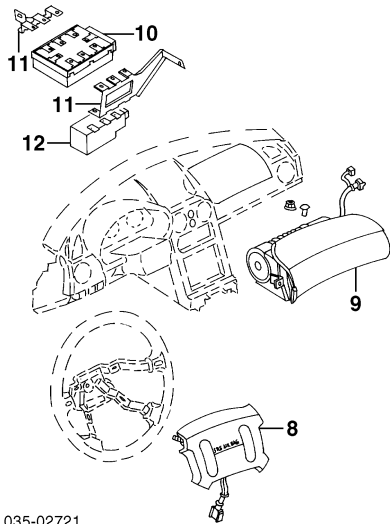
035-02126

- 1 Sensor, Outer R NA01-57-K2XK
L NA01-57-K2YK
- 2 Sensor, Center 90-93 NA01-57-K10H
94 NA75-57-K1XA
R NA01-57-K45B
L NA01-57-K46B
- 3 Cover, Outer Sensor NA01-57-K47C
- 4 Cover, Center Sensor
- 5 Cover, Outer Sensor
- 6 Right NA01-56-191A
- Left w/o ABS NA01-56-181A
- 7 Sensor, Inner Air Bag NA01-57-K40D

Illustration Located in Next Column

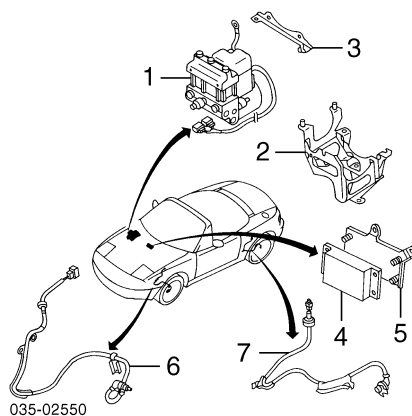
- 8 Module, Driver Air Bag NA01-57-K00E-00
- 9 Module, Pass Air Bag 94 NAY5-57-K7X-00
- 10 Control Unit, Diagnosis 1990-93 NA01-67-7FOA
1994 GA2A-67-7FOA
- 11 Bracket, Control Unit R NA05-67-9A1B
L NA06-67-9A1B
- 12 Power Unit, Back-Up 90-93 NA01-67-7G0A
Clockspring[†]—See Steering Wheel/Column Section
[†]Serviced w/Combination Switch

MAZDA MIATA 1990-97



035-02721

1995-97

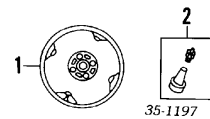


035-02550

- 1 Hydraulic Unit, ABS
 - 95 NA13-43-7A0A
 - 96-97 NA13-43-7A0B
 - 90-94 NA23-43-310B
 - 95-97 NB13-43-310A
 - 95-97 NB13-43-321A
 - 90-94 NA17-67-650A
 - 95-97 N036-67-650
- 2 Brkt, Hydraulic Unit
- 3 Bracket, Upper
- 4 Control Unit, ABS
- 5 Bracket, ABS Control Unit
 - 1990-94 Serviced w/ABS Control Unit
 - 1995-97 NB13-67-B4X
 - Included w/ABS Control Unit
- 6 Sensor, ABS Front
 - R NA23-43-70XE
 - L NA23-43-73XE
 - R NA23-43-71YB
 - L NA23-43-72YB
- 7 Sensor, ABS Rear

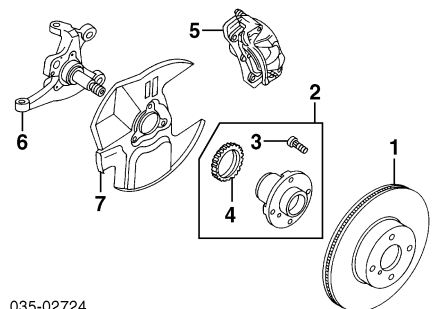
- 7 Emblem
 - Included w/Cap Set M011-37-192
- 8 Cap, Center (Spoke Wheels) EA02-37-192
- 9 Stem, Valve 9963-60-4130
- 10 Nut, Lug
 - w/Chrome B002-37-160A
 - w/o Chrome 0603-26-161A

SPARE WHEEL



- 1 Wheel 14x4T
 - 90-93 9965-15-4040
 - 94-96 9965-18-4040
 - 97 N.A.
- 2 Stem, Valve 9963-60-4130

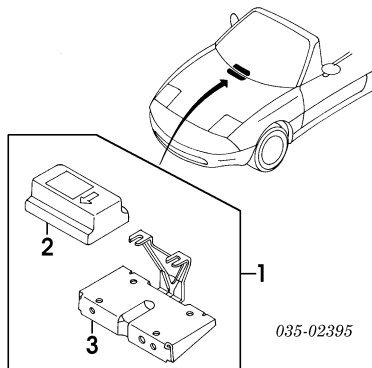
FRONT SUSPENSION



035-02724

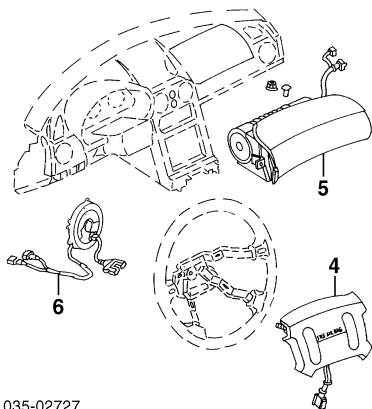
- 1 Rotor, Brake
 - 90-93 R/L B25Y-33-25XB
 - 94-97 R/L N026-33-25XC
- 2 Hub Assy w/ABS
 - 90-93 R/L NA23-33-04XA
 - 94-97 R/L NA23-33-04XA
 - w/o ABS R/L NA01-33-04X
 - 3 Bolt, Hub (4/Side) R/L B455-33-062
 - 4 Ring, ABS Sensor R/L NA23-33-471B
 - Included w/Hub Assy
- 5 Sensor, ABS-See Anti-Lock Brake System Section
- 6 Caliper, Brake
 - 1990-93 w/ABS R NAY0-33-98ZR
 - L NAY0-33-99ZR
 - w/o ABS R N001-33-980
 - L NAY0-33-99ZR
 - 1994-96 R NAY5-33-98ZR
 - L NAY5-33-99ZR
 - 1997 R NAY5-33-98ZR
 - L NAY5-33-99ZR
- 7 Hose, Brake
 - 90-93 R NA01-43-810B
 - L NA01-43-820B
 - 94-97 R NA75-43-810A
 - L NA75-43-820A
- 8 Knuckle Assy w/ABS
 - 90-94 R NA23-33-021A
 - L NA23-33-031A
 - 95-97 R NA23-33-021B
 - L NA23-33-031B
 - w/o ABS 90-94 R NA01-33-021A
 - L NA01-33-031A
 - 95-97 R NA01-33-021B
 - L NA01-33-031B
- 9 Shield, Splash
 - 1990-93 w/ABS R NA23-33-261
 - L NA23-33-271
 - w/o ABS R NA01-33-261
 - L NA01-33-271
 - 1994-97 R NA75-33-261
 - L NA75-33-271
 - Included w/Knuckle Assy

Illustration Located in Next Column



035-02395

- 1 Sensor Assy, Air Bag
 - N034-57-K30B
 - Add Parts &/or Dealer Contact Required
- 2 Sensor, Air Bag N034-57-K30B
- 3 Bracket, Sensor N034-57-KX0A
- Included w/Air Bag Sensor Assy



035-02727

- 4 Module, Driver Air Bag NB11-57-K00-00
- 5 Module, Passenger Air Bag NB29-57-K7X-00
- 6 Clockspring (a) NB17-66-CS0A
- 1997
- Included w/Combination Switch Assy-See Steering Wheel/Column Section
- (a) Included w/Combination Switch Assy

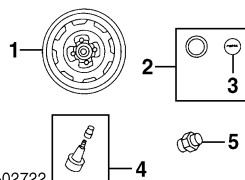
ABS/BRAKES

Illustration Located in Next Column

- 1 Hydraulic Unit, ABS 90-94 NA23-43-7A0C

WHEEL

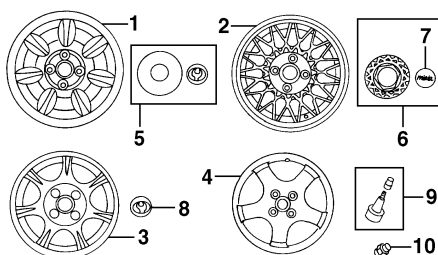
STEEL WHEEL



035-02722

- 1 Wheel 14x5-1/2J
 - 9965-B9-5540
- 2 Cap Assy, Center
 - 90-93 B455-37-190
 - 94-96 NA53-37-190
 - 97 B455-37-191
- 3 Emblem
 - 90-92 B001-37-192
 - 93-96 GA7C-37-192
 - 97 N.A.
- Included w/Center Cap Assy
- 4 Stem, Valve 9963-60-4130
- 5 Nut, Lug
 - w/Chrome B002-37-160A
 - w/o Chrome 0603-26-161A

ALUMINUM WHEEL



035-02723

- 1 Wheel
 - 14x5-1/2" (7 Spoke) 90-91 8BN1-37-600
 - 93 8BN5-37-600
 - 14x6" BBS 92-93 8BN4-37-600
 - 94 9965-09-6040
 - 95-97 9965-C3-6050
- 2 14x6" 7 Spoke
 - Silver 94-97 9965-13-6040
 - Polished 94-97 9965-19-6040
- 3 15x6" 5 Spoke 95-97 9965-E8-6050
- 4 Cap, Center
 - 14x5-1/2" (7 Spoke) 90-92 NA01-37-190A
 - 93 NA52-37-190A
- 5 Cap, Center (BBS Wheel)
- 6 Cap Set M011-37-190

- 8 Spring, Coil
 - Man Trans 90-93 R/L NA01-34-011A
 - 94-97 R/L NA03-34-011
 - Auto Trans 90-93 R/L NA03-34-011
 - 94-97 R/L NA81-34-011
- 9 Strut
 - 1990-93 w/ABS R/L NA23-34-700B
 - w/o ABS R/L NA01-34-700
 - 1994 w/ABS R/L NA53-34-700B
 - w/o ABS R/L N018-34-700B
 - 1995-97 w/Sport Pkg R/L N023-34-700D

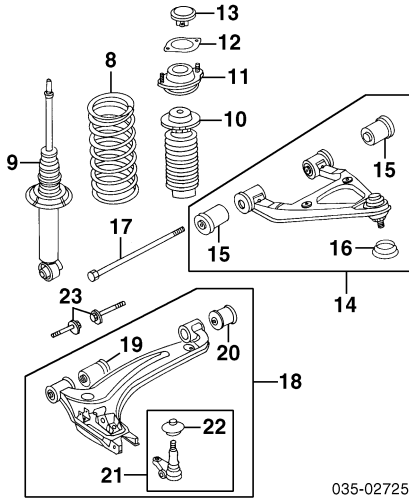
madpl1_g01_

Procedure Explanation Pages Must Be Used with the Above Text for an Accurate Damage Report.
Comments or suggestions? Need assistance? Call 1-800-854-7030 or 858-578-6550. Ext. 8220. Fax 1-888-256-7969 or 858-549-0629.

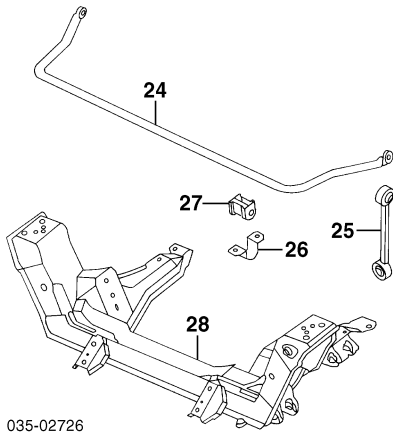
223

MAZDA MIATA 1990-97

FRONT SUSPENSION Cont'd



- | | | | |
|----|---------------------------------------|-----------|---------------|
| | w/o Sport Pkg | | |
| | w/ABS | R/L | NA53-34-700B |
| | w/o ABS | R/L | NA018-34-700B |
| 10 | Stopper, Bumper | 90-93 R/L | NA01-28-111 |
| | | 94-97 R/L | NA021-34-111 |
| 11 | Rubber, Mounting | R/L | NA01-28-380B |
| 12 | Seat, Spring | R/L | G030-28-013A |
| 13 | Cap, Strut | R/L | NA01-34-019 |
| 14 | Arm Assy, Upper Control | | |
| | w/ABS | R | NA23-34-200A |
| | | L | NA23-34-250A |
| | | R/L | NA01-34-200A |
| | w/o ABS | | |
| 15 | Bushing, Upper Control Arm | R/L | NA01-34-480A |
| | Front/Rear (2/Side) | R/L | NA01-34-548 |
| 16 | Seal, Dust | | |
| | †Included w/Upper Control Arm Assy | | |
| 17 | Bolt, Upper Arm | R/L | NA01-34-112 |
| 18 | Arm Assy, Lower Control | | |
| | 1990-94 | R | N066-34-310 |
| | | L | N066-34-360 |
| | 1995-96 | | |
| | w/ABS | | |
| | To 10-94 | R | N066-34-310 |
| | | L | N066-34-360 |
| | From 10-94 | R | N066-34-310 |
| | | L | N066-34-360 |
| | w/o ABS | R | N066-34-310 |
| | | L | N066-34-360 |
| | 1997 | R | N066-34-310 |
| | | L | N066-34-360 |
| | Bushing, Lower Arm | | |
| 19 | Front | R/L | NA01-34-460A |
| 20 | Rear | R/L | NA01-34-490 |
| 21 | Ball Joint Assy, Lower | R/L | NA01-34-550B |
| 22 | Seal, Dust | R/L | H266-28-448 |
| | †Included w/Lower Control Arm Assy | | |
| | (a) †Included w/Lower Ball Joint Assy | | |
| 23 | Bolt, Adjust (2/Side) | | |
| | 1990-93 | R/L | NA80-28-66ZD |
| | 1994-96 | | |
| | To 11-94 | R/L | NAY9-28-6AZ |
| | From 11-94 | R/L | NA75-34-4A04 |
| | 1997 | R/L | NA80-28-66ZD |

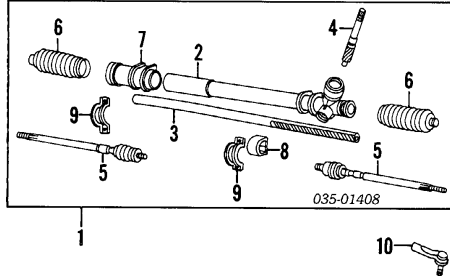


- 035-02726
- †Add'l Parts &/or Dealer Contact Required
- | | | | |
|----|-----------------|--------------|--|
| 24 | Bar, Stabilizer | | |
| | 1990-93 | NA01-34-151A | |
| | 1994 | NA80-34-151 | |
| | 1995-97 | | |

- | | | |
|----|-------------------|------------------|
| | w/Sport Pkg | NA75-34-151 |
| | w/o Sport Pkg | NA80-34-151 |
| 25 | Link, Stab Bar | R/L NA01-34-170 |
| 26 | Bracket, Stab Bar | R/L FB01-34-155 |
| 27 | Bushing, Stab Bar | |
| | w/Sport Pkg | R/L NA75-34-156 |
| | w/o Sport Pkg | R/L NA01-34-156A |
| 28 | Crossmember, Susp | NA01-34-800E |

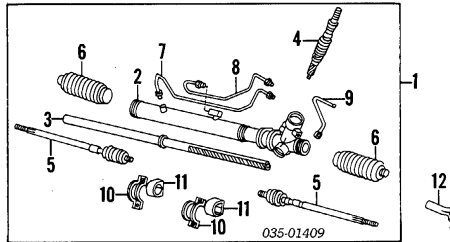
FRONT STEERING LINKAGE/GEAR

MANUAL



- | | | |
|----|-----------------------|-----------------|
| 1 | Gear Assy | NA01-32-110 |
| 2 | Housing, Gear | NA01-32-120 |
| 3 | Rack, Gear | NA01-32-119 |
| 4 | Pinion | NA01-32-122 |
| 5 | Rod, Tie | R/L NA01-32-240 |
| 6 | Boot, Outer | R/L NA01-32-12X |
| 7 | Mount, Rubber | NA01-32-123 |
| 8 | Bushing, Mounting | NA01-32-124 |
| 9 | Bracket, Mounting | R BC51-32-133 |
| | | L NA01-32-134 |
| | †Included w/Gear Assy | |
| 10 | End, Tie Rod | R/L 8AN1-32-280 |

POWER 1990-95

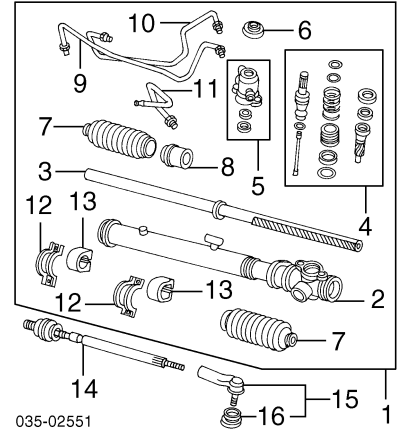


- | | | |
|----|-----------------------|-------------------|
| 1 | Gear Assy | NA02-32-110R-00 |
| 2 | Housing, Gear | NA02-32-120 |
| 3 | Rack, Gear | NA02-32-119 |
| 4 | Pinion | NA02-32-380 |
| 5 | Rod, Tie | R/L NA02-32-240 |
| 6 | Boot, Outer | L NA02-32-125 |
| | | R NA02-32-135 |
| 7 | Pipe, Upper Fluid | NA02-32-481 |
| 8 | Pipe, Lower Fluid | NA02-32-482 |
| 9 | Pipe, Fluid Return | NA02-32-452 |
| 10 | Bracket, Mounting | R/L NA02-32-134-3 |
| 11 | Bushing, Mount | L NA02-32-124-3 |
| | †Included w/Gear Assy | |
| 12 | End, Tie Rod | R/L 8AN1-32-280 |

POWER 1996-97

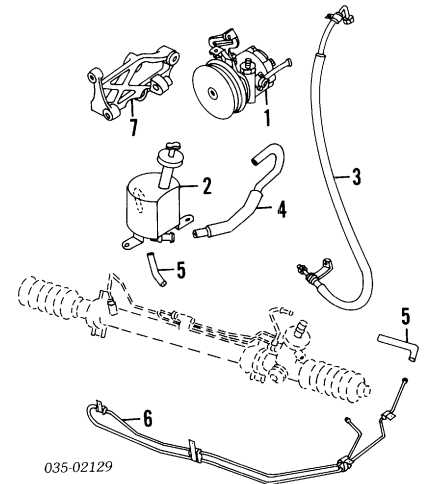
Illustration Located in Next Column

- | | | |
|----|-----------------------|----------------------|
| 1 | Gear Assy | 96 NB38-32-110R-0B |
| | | 97 NB38-32-110R-0B |
| 2 | Housing, Gear | NB38-32-120 |
| 3 | Rack, Gear | NB38-32-119 |
| 4 | Pinion | NB38-32-380 |
| 5 | Seal, Shaft | NB38-32-126 |
| 6 | Cover, Lever | NB38-32-112 |
| 7 | Boot, Outer | R/L NB38-32-125 |
| 8 | Holder, Strg Gear | NB38-32-154 |
| 9 | Pipe, Upper Fluid | NB38-32-450 |
| 10 | Pipe, Lower Fluid | NB39-32-450 |
| 11 | Pipe, Fluid Return | 96 NA02-32-452 |
| | | 97 NB38-32-480 |
| 12 | Bracket, Mounting | 96 R/L NA02-32-134-3 |
| | | 97 R NA02-32-134 |
| | | L NB38-32-133 |
| 13 | Bushing, Mount | L NA02-32-124-3 |
| | †Included w/Gear Assy | |
| 14 | Rod, Tie | R/L NA02-32-240 |



- | | | |
|----|------------------------------|-----------------|
| 15 | End Assy, Tie Rod | R/L 8AN1-32-280 |
| 16 | Seal, Dust | R/L B455-32-279 |
| | †Included w/Tie Rod End Assy | |

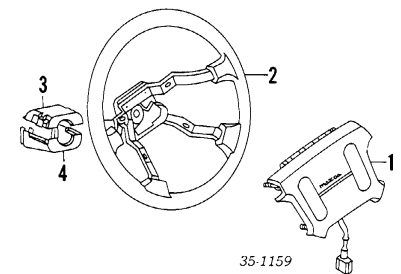
STEERING PUMP



- | | | |
|---|---------------------------|--------------------|
| 1 | Pump, Steering | N002-32-600R-0F |
| 2 | Reservoir, Fluid | 90-96 NA02-32-690A |
| | | 97 NB11-32-690 |
| | Belt, Drive | |
| | 1990-93 | BPE8-15-909A |
| | 1994-97 | |
| | w/ A/C | BPE8-15-909A |
| | w/o A/C | B61P-15-907A |
| 3 | Hose, Pressure | NA02-32-490C |
| 4 | Hose, Return | NA02-32-684B |
| 5 | Hose, Cooler Inlet/Outlet | NA02-32-682 |
| 6 | Pipe, Strg Return/Cooler | NA02-32-410A |
| 7 | Bracket, Pump | NA02-32-680 |

STEERING WHEEL/COLUMN

WHEEL & TRIM 1990-93

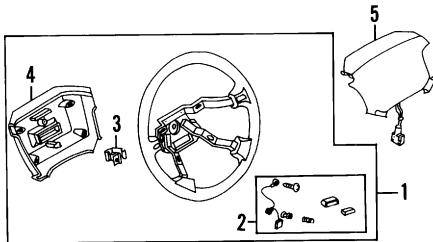


- | | | |
|---|--|----------------|
| 1 | Module, Air Bag-See Air Bag System Section | B461-32-800A |
| 2 | Wheel, Steering | |
| | Urethane | NA01-32-980D |
| | Leather | NA02-32-980D |
| 3 | Cover, Column Upper | NA01-60-220-00 |

MAZDA MIATA 1990-97

4 Cover, Column Lower NA01-60-230A-00

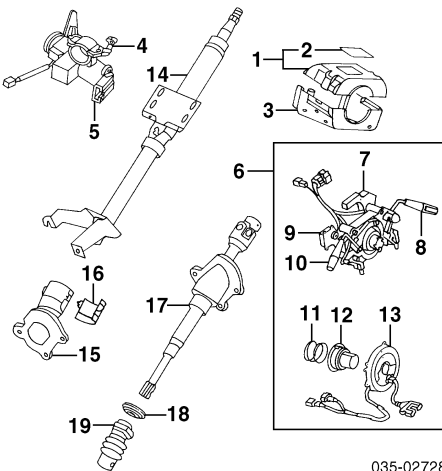
WHEEL & TRIM 1994-97



035-02130

- 1 Wheel Assy, Steering
Urethane Wrap Wheel NA01-32-980D
Leather Wrapped Wheel NA02-32-980D
- 2 Parts Kit, Wheel NA01-32-750
- 3 Bracket, Coupler NA01-32-019
- 4 Cover, Wheel Front NA01-32-049
*Included w/Steering Wheel Assy
- 5 Module, Air Bag-See Air Bag System Section

COLUMN



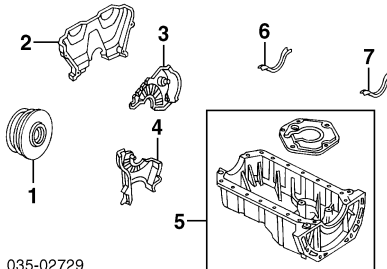
035-02728

- 1 Cover Assy, Column Upper NA01-60-220-00
- 2 Cap, Upper Cover NA01-60-223-00
*Included w/Column Upper Cover Assy
- 3 Cover, Column Lower NA01-60-230A-00
- 4 Lock Assy, Ignition
Man Trans 90-94 NA01-76-290F
95 NA75-76-290C
96-97 NA75-76-290C
Auto Trans 90-94 N022-76-290C
95 NA81-76-290C
96-97 NA81-76-290C
- 5 Switch, Ignition D001-66-151A
*Included w/Ignition Lock Assy
- 6 Switch Assy, Combination
1990-96
w/Air Bag w/Cruise Control NB18-66-120A
w/o Cruise Control NB17-66-120A
w/o Air Bag Base Model NA08-66-120C
1997
w/Cruise Control NB18-66-120A
w/o Cruise Control NB17-66-120A
- 7 Switch, Wiper 97 NA02-66-135
- 8 Lever, Wiper w/Cruise Control 97 NA02-66-128
w/o Cruise Control 97 NA01-66-128
- 9 Switch, Dimmer 97 NA02-66-136
- 10 Switch, Headlamp 97 NA02-66-122
- 11 Spring, Cancel Cam 97 H384-66-121
- 12 Cam, Cancel 97 NA02-66-126
- 13 Clockspring *See Air Bag System Section
*Included w/Combination Switch Assy
- 14 Shaft
1990-93
w/Air Bag NA01-32-100B
w/o Air Bag NA07-32-100B
1994-96 NA75-32-100A
1997 NA75-32-100A
- 15 Cover, Joint 90-93 NA01-32-AZ1B
94-97 NA75-32-AZ1
- 16 Cover, Joint Lower
1990-96 USA-Serviced w/Joint Cover
Canada N.A.
1997 NA01-32-AZ1B
- 17 Shaft, Intermediate
1990-93

- Man Strg NA01-32-090B
- Pwr Strg NA02-32-090B
- 1994-97
- Man Strg NA01-32-090D
- Pwr Strg NA02-32-090D
- NA01-32-217
- 18 Grommet 90-93 NA01-32-850
- 19 Joint, Steering 94-96 NA01-32-850B
97 NA01-32-850B

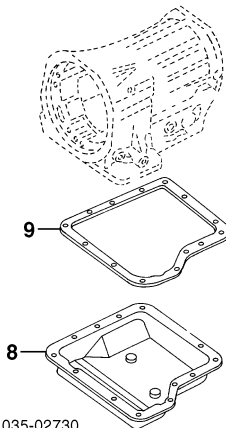
- From 10-94 Man Trans NC10-39-710B
- Auto Trans NC13-39-710A
- 5 Bracket, Support
Man Trans NA01-39-730A
- 6 Spacer, Bolt NA01-39-723
- 7 Bolt, Outer Support (3) NA01-39-721A
- 8 Bolt, Inner Support (1) NA01-39-722

ENGINE/TRANS



035-02729

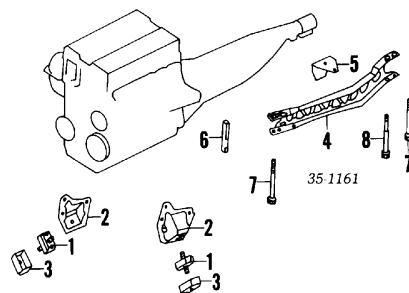
- 1 Pulley, Crankshaft
1990-93 To Eng 209446
From Eng 209446 1994-97 B6S7-11-401A
B6S8-11-401
BPD3-11-401A
B61P-10-510
- 2 Cover, Up Front Timing B660-10-521B
- 3 Cover, Up Ctr Timing B660-10-501E
- 4 Cover, Lwr Ctr Timing B6Y0-10-400D
- 5 Pan, Eng Oil 90-93 BPY0-10-400D
94-97 B6F4-10-427
B6F4-10-428
8527-77-739
- 6 Seal, Front Eng Pan
- 7 Seal, Rear Eng Pan Sealant, Eng Oil Pan



035-02730

- 8 Pan, Trans Oil BV02-19-836
- 9 Gasket, Trans Oil Pan BT28-19-835

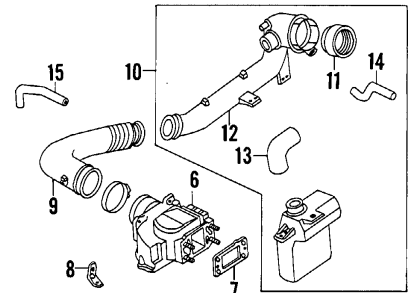
ENGINE MOUNTS



- 1 Mount, Engine R/L NA01-39-040A
- 2 Bracket, Mount 90-93 R NA01-39-020
L NA01-39-030
94-97 R NA75-39-021
L NA75-39-030
- 3 Casing, Stopper 90-96 R/L NA01-39-041B
97 R/L NA01-39-041B
- 4 Support, Trans
1990-93 Man Trans NC10-39-710B
Auto Trans NC13-39-710A
- 1994-97 To 10-94 Man Trans NC10-39-710B
Auto Trans NA81-39-710A

AIR CLEANER

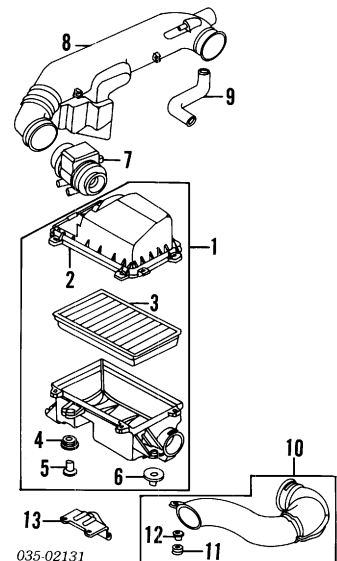
1990-93



35-1162

- 1 Cleaner Assy, Air B61P-13-320A
- 2 Cover, Air Cleaner B61P-13-201
- 3 Element, Cleaner B6S7-13-240-9U
*Included w/Air Cleaner Assy
- 4 Brkt, Air Cleaner Mtg B61P-20-211
- 5 Duct, Air B61P-13-200C
- 6 Meter, Air Flow B6S7-13-210R-0A
- 7 Gasket, Meter B6S7-13-211A
- 8 Brkt, Mtg Air Flow Meter B61P-13-311B
- 9 Hose, Air Flow Meter B61P-13-221B
- 10 Resonator Assy B61P-13-330E
Man Trans B64J-13-330
Auto Trans B61P-13-245
- 11 Joint, Rubber B61P-13-245
- 12 Pipe, Air Intake-Serviced w/Resonator Assy B61P-13-206A
- 13 Hose, Resonator B61R-13-765
- 14 Hose, Air Intake Pipe *Included w/Resonator Assy
- 15 Hose, Ventilation B61P-13-742C

1994-97



035-02131

- 1 Cleaner Assy, Air BPE8-13-320
- 2 Cover, Air Cleaner BPE8-13-201
- 3 Element, Cleaner B6S7-13-240-9U
- 4 Bushing, Mounting (3) FE51-13-363
- 5 Spacer, Mounting (3) FE51-13-329
- 6 Mount, Rubber B61P-13-266

madpl1_g01_

Procedure Explanation Pages Must Be Used with the Above Text for an Accurate Damage Report.
Comments or suggestions? Need assistance? Call 1-800-854-7030 or 858-578-6550. Ext. 8220. Fax 1-888-256-7969 or 858-549-0629.

225

MAZDA MIATA 1990-97

AIR CLEANER Cont'd

1994-97 Cont'd

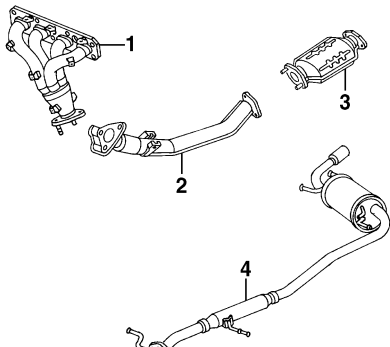
†Included w/Air Cleaner Assy

7 Meter, Air Flow	B6BF-13-215
8 Pipe, Air Intake	BPE8-13-331B
9 Hose, Breather	BPE8-13-765A
10 Duct Assy, Fresh Air	BPE8-13-200
11 Bushing, Duct†	S501-13-349
12 Spacer, Duct†	SLA1-13-321

†Included w/Fresh Air Duct Assy

13 Bracket, Cleaner	B61P-20-211
---------------------	-------------

EXHAUST



035-02731

1 Manifold, Exhaust	90-93 B61P-13-450B
	94-97 BPE8-13-450
2 Pipe, Exhaust	90-93 B690-40-500B
	94-97 BP56-40-500B
3 Converter, Catalytic	90-93 B6Y4-20-600A
	94-95 BPE8-20-600
	96-97 BPS1-20-600
4 Muffler	
Man Trans	90-93 BP55-40-100D
	94-95 BP55-40-100D
	96-97 BPA5-40-100B
Auto Trans	90-93 B684-40-100F
	94-95 BP59-40-100D
	96-97 BPA6-40-100B

EMISSION SYSTEM

Valve, Three Way	90 FE65-18-741A
	91-93 JE16-18-741
	94-97 FS05-18-741
Canister, Vapor	90-93 F286-13-970A
	94-97 JE16-13-970A
Brkt, Canister Mtg	B61P-13-960A
Valve, Air	
1990-93	
Man Trans	B61P-13-190A
Auto Trans	B64J-13-190
1994-97	B6BF-20-660

ELECTRICAL

ALTERNATOR

Alternator†	
Man Trans	90-93 B61P-18-300R-00
	94-97 BPE8-18-300R-00
Auto Trans	90-93 B64J-18-300R-00
	94-97 BPE9-18-300R-00

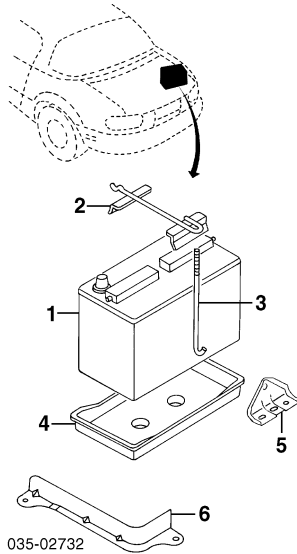
†Remanufactured Part. Contact Dealer for Core Charge & Exchange Information

Belt, Drive	90-93 B6S7-18-381B-9U
	94-97 B6BF-18-381-9U

BATTERY

Illustration Located in Next Column

1 Battery	B6AC-18-520
2 Clamp, Battery	
Std Duty	NA01-56-03XA
Hvy Duty	8871-56-030A
3 Bolt, Battery Clamp	
Std Duty	0259-54-292A
Hvy Duty	W001-38-518A
4 Tray, Battery	
Std Duty	B095-56-032
Hvy Duty	BG62-56-032A
5 Brkt, Battery Clamp	NA01-56-032B
6 Brkt, Battery Tray	NA01-56-033B



035-02732

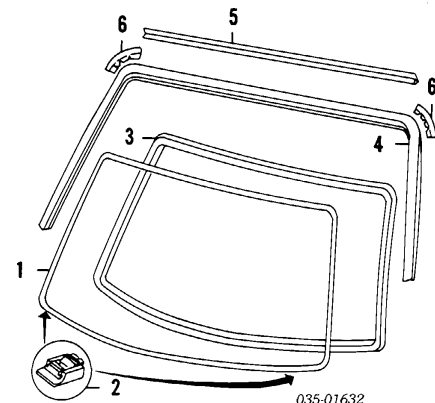
HORN

Horn SA59-66-790A

IGNITION

Module, Main Computer	
1990-93	
Man Trans	B61P-18-881R
Auto Trans	B64J-18-881R
1994	ZPC2-18-881R
1995	ZPC1-18-881R
1996	BPS1-18-881R-0B
1997	BP3A-18-881R-0B
Coil & Igniter	
90-93	B61P-18-10XC
94-95	BPE8-18-10XA
96-97	BPE8-18-10XC

WINDSHIELD



035-01632

1 Glass Assy, Windshield	
Mazda (Tint)	90-95 NC11-63-900A
	96 NB38-63-900A
	97 NC11-63-900A
2 Spacer, Glass	90-93 R/L GJ21-50-891
	94-97 R/L EA01-50-891A
3 Dam, Windshield	NA01-50-894A
1990-94	
1995-96	
Type 1	NA01-50-894A
Type 2	GA7B-50-899
1997	NA01-50-894A
4 Moulding, Reveal	NA01-50-601A
5 Fastener, Moulding	NA01-50-6B1
6 Protector, Moulding	R/L NA01-50-6B2
Moulding, Inside Garnish	
Upper	NA01-68-090E
Side	R NA01-68-160-00
	L NA01-68-170-00
Mirror Assy, Rear View	90-95 NA01-69-220A
	96-97 HG82-69-220A
Base, Mirror Mtg	
1990-95†	NA01-69-240
1996-97 (a)	BC1C-69-240

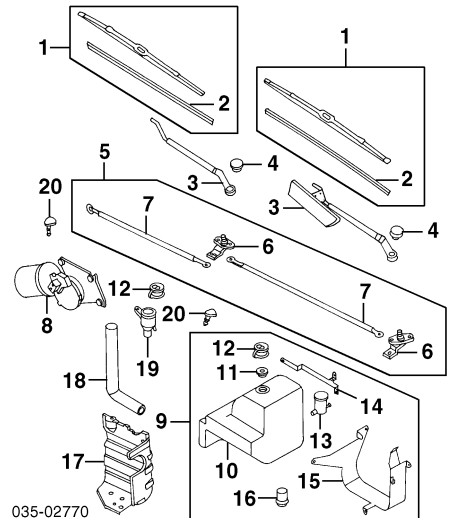
†Included w/Rear View Mirror Assy
(a) Included w/Windshield Glass Assy

Cover, Mirror Base	GJ21-69-225-00
Visor, Sun	
w/Air Bag	90-93 R NA01-69-270B-02

L	NA01-69-320D-02
94 R	NA01-69-270B-02
L	NA75-69-320-02
95-96 R	NB12-69-270A-02
L	NB11-69-320B-02
97 R	NB12-69-270A-02
L	NB11-69-320B-02
R	NA01-69-270B-02
L	NA75-69-320-02

w/o Air Bag

WIPER SYSTEM



035-02770

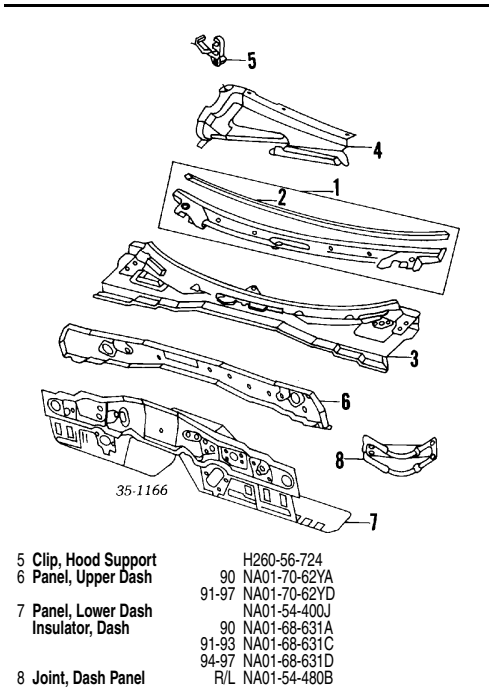
1 Blade Assy, Wiper	R NC11-67-330-9U
	L BM95-67-330B
2 Insert, Blade†	R/L D040-67-333-9U
	†Included w/Wiper Blade Assy
3 Arm, Wiper	R NA02-67-321
	L NA01-67-321
4 Cap, Arm	R/L LA01-67-395C
5 Link Assy, Wiper	NA01-67-360B
6 Pivot, Wiper Shaft†	R/L NA01-67-363-4
7 Link, Pivot Drive†	R NA01-67-361A
	L NA01-67-362
	†Included w/Wiper Link Assy
8 Motor, Wiper	
Std Duty	NA01-67-340E
Hvy Duty (Cold Climate Spec)	NA95-67-340B
9 Tank Assy, Fluid	
w/ABS	NA17-67-4T0A
w/o ABS	
2.2 Liter Capacity	NA01-67-480B
4.5 Liter Capacity	NA04-67-480B
10 Tank, Fluid†	
w/ABS	NA17-67-4T1
w/o ABS	
2.2 Liter Capacity	NA01-67-481
4.5 Liter Capacity	NA04-67-481
11 Grommet, Tank†	B002-51-814
12 Cap, Tank	
w/ABS	GJ21-67-483
w/o ABS†	UB39-51-815
13 Pump, Washer†	
w/ABS	LA01-67-482
w/o ABS	S084-76-672
14 Brkt, Tank Mtg Up†	NA18-67-521
w/ABS	
15 Brkt, Tank Mtg Lwr	
w/ABS†	NA17-67-521
w/o ABS	
2.2 Liter Capacity†	NA01-67-520
4.5 Liter Capacity	NA04-67-520
16 Switch, Level†	
w/ABS	NA17-67-488
	†Included w/Fluid Tank Assy
17 Cover, Tank	
w/ABS	NA20-56-181A
18 Tube, Filler	NA17-67-4C1
w/ABS	
19 Neck, Filler	NA17-67-4C2
w/ABS	
20 Nozzle, Washer	R/L DB02-67-510

COWL & DASH

Illustration Located in Next Column

1 Grille Assy, Cowl Top	NA01-50-790E
2 Moulding, Grille†	NA01-50-792A
	†Included w/Cowl Top Grille Assy
3 Panel, Cowl Top	90-93 NA01-53-510E
	94-96 NA75-53-510
	97 NA75-53-510C
4 Cover, Cowl Panel	NA01-56-35X

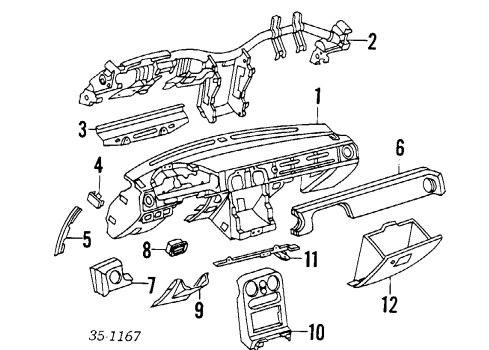
MAZDA MIATA 1990-97



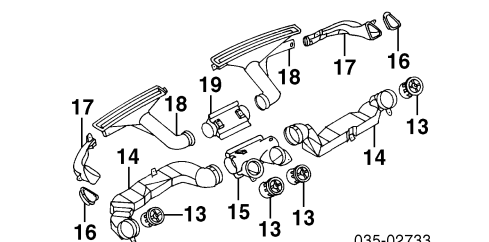
- 5 Clip, Hood Support H260-56-724
- 6 Panel, Upper Dash 90 NA01-70-62YA
91-97 NA01-70-62YD
- 7 Panel, Lower Dash Insulator, Dash NA01-54-400J
90 NA01-68-631A
91-93 NA01-68-631C
94-97 NA01-68-631D
- 8 Joint, Dash Panel R/L NA01-54-480B

INSTRUMENT PANEL

1990-93



- 1 Panel, Instrument Black/Black NA01-60-401D-00
Black/Tan NA02-60-401-88
- 2 Frame NA01-60-420E
- 3 Bracket, Instrument Panel NA01-60-462A
- 4 Cover, Hole (6) NA01-64-912A-00
- 5 Cover, Side-Not Serviced
- 6 Pad, Safety Black NA01-60-350-00
Tan NA01-60-350-88
- 7 Extension, Safety Pad Black NA01-60-35X-00
Tan NA01-60-35X-88
- 8 Box, Panel NA01-55-241A-00
- 9 Cover, Strg Column Black NA01-64-270E-00
Tan NA01-64-270E-88
- 10 Cover, Center NA01-55-210B-00
- 11 Bracket, Center Brkt, Safety Pad NA01-60-430C
- 12 Glove Box Black NA01-64-030E-00
Tan NA01-64-030E-88

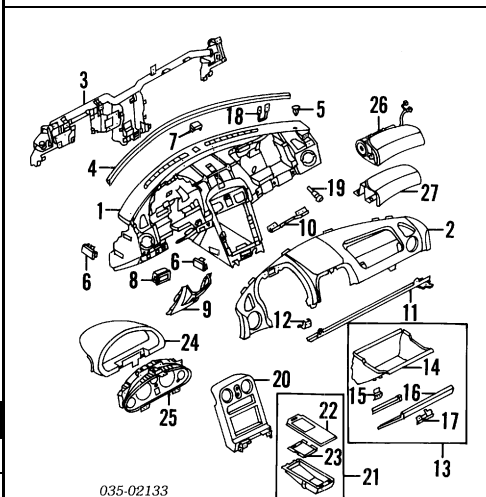


- 13 Nozzle, Vent (4) N001-64-81X-00
- 14 Duct, Front Outer R NA01-64-741

- 15 Duct, Front Center L NA01-64-841
NA01-61-161A
- 16 Grille, Side Defrost 90-91 R NA01-60-161-00
L NA01-60-171-00
92-93 R N002-60-161-00
L N002-60-171-00
- 17 Duct, Side Defrost R NA01-60-183
L NA01-60-193
- 18 Nozzle, Defrost R NA01-60-121A
L NA01-60-141
- 19 Connector, Defrost Radio† AM-FM 0000-81-9445-HB
AM-FM-Cassette 0000-81-5092

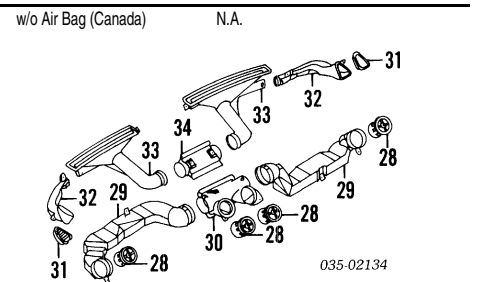
†Order by Application

1994-97



- 1 Panel, Instrument Black 94-96 NA75-60-401G-00
97 NA75-60-401G-00
- Black/Tan NA75-60-401G-88
- 2 Pad, Impact NA75-60-350B-00
- 3 Support, Panel 94-96 NA75-60-420E
97 NB38-60-420A
- 4 Strip, Panel Front NA75-60-353
- 5 Clip, Trim (4) W201-68-AA5A-00
- 6 Plug, Bolt-Hole
- 6 Side (6) NA01-64-912A-00
Black NA01-64-912A-88
Tan NA01-64-905A-00
- 7 Center NA01-55-241A-00
- 8 Cover, Panel (3)
- 9 Panel, Under-Column Black NA75-64-270C-00
Tan 94-96 NA75-64-270C-88
97 NA75-64-270C-88
- 10 Bracket, Pad NA01-60-463
- 11 Reinf, Pad 94 NA01-60-430E
95-97 NA01-60-430E
- 12 Bracket, Reinf Inner NA01-60-435
- 13 Glove Box Assy Black 94-96 NA75-64-030D-00
97 NA75-64-030D-88
- Tan 94-96 NA75-64-030F-88
97 NA75-64-030F-88
- 14 Box, Glove† NA75-64-161C-00
- 15 Hinge, Box† (2) NA75-64-03XA
- 16 Lid, Box Outer† Black 94-96 NA75-64-041C-00
97 NA75-64-041C-00
- Tan 94-96 NA75-64-041C-88
97 NA75-64-041C-88
- 17 Lock, Glove Box† Black 94-96 BC1D-64-090C-02
97 BC5E-64-090E-00
- Tan 94-96 BC1D-64-090-88
97 BC5E-64-090E-67
- †Included w/Glove Box Assy
- 18 Striker, Glove Box BC1D-64-101
- 19 Bumper, Door (2) B092-64-046
- 20 Panel, Center w/CD Player NA75-55-210A-00
w/o CD Player NB38-55-210A-00
- 21 Ashtray Assy 94-96 NA01-64-617-00
97 NA01-64-610B-00
- 22 Holder, Ashtray† NA01-64-623-00
- 23 Lid, Ashtray† NA01-64-617-00
- †Included w/Ashtray Assy
- 24 Hood, Instrument Black Panel NA75-55-420B-00
Tan Panel NA79-55-420B-00
- 25 Meter, Instrument 1994-96 NA75-55-430A
1997
- USA NB13-55-430B
- Type A NB39-55-430
- Type B N.A.
- Canada
- 26 Module, Passenger Air Bag -See Air Bag System Section
- 27 Cover

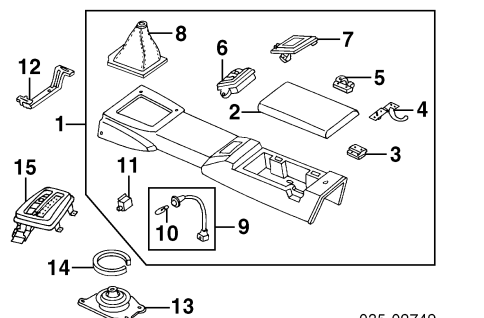
035-02133



- 28 Nozzle, Vent (4) N001-64-81X-00
- 29 Duct, Front Outer R NA75-64-741
L NA75-64-841
- 30 Duct, Front Center NA75-61-161A
- 31 Grille, Side Defrost Black Panel R NA75-60-160A-00
L NA75-60-170A-00
Tan Panel R NA79-60-160A-00
L NA79-60-170A-00
- 32 Duct, Side Defrost R NA75-60-183
L NA75-60-193
- 33 Nozzle, Defrost 94-96 R NA75-60-121
L NA01-60-141
97 R NA75-60-121B
L NA01-60-141
- 34 Connector, Defrost Radio Unit† AM-FM-Cassette (a) 94-96 0000-81-191A-M5
97 0000-81-6690
AM-FM-Cassette-CD 94-96 NA54-66-9W0
97 NB41-66-9C0

†Order by Application
(a) Add'l Parts &/or Dealer Contact Required

CENTER CONSOLE



- 1 Console Assy (b) Man Trans N007-64-410D-00
Man Windows N008-64-410D-00
Pwr Windows
Auto Trans
Man Windows NA03-64-410E-00
Pwr Windows NA06-64-410F-00
- (b) Order by Application
- 2 Lid, Console† NA01-64-450B-00
- 3 Lock, Lid† FB01-64-430
- 4 Stopper, Lid† NA01-64-452-00
- 5 Hinge, Lid† (2) NA01-64-45XA-00
- 6 Switch, Power Window† (a) NA01-66-350A-00
- (a) Order by Application
- 7 Box, Coin† NA01-64-437-00
- 8 Boot, Shift† Man Trans NA01-64-331-00
- 9 Bulb & Socket Assy† Man Trans NA01-55-280
Auto Trans NA06-55-280
0000-11-0074
- (a) Included w/Bulb/Socket Assy
- 11 Case, Lamp† NA01-64-414
- †Included w/Console Assy
- 12 Bracket, Mounting NA01-64-416
- 13 Insulator, Shift Boot Man Trans NA01-64-481B
- 14 Gasket, Boot Man Trans H001-64-493
- 15 Indicator, Shift Auto Trans NA81-64-350C

035-02749

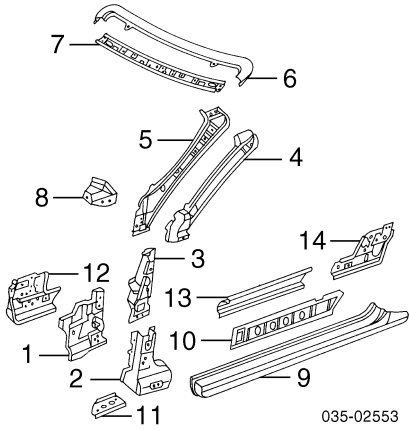
ROCKER/PILLARS/FLOOR

Illustration Located in Next Column

- 1 Panel, Cowl Side Inner R NA01-70-020B
L NA01-71-020B
- Panel, Cowl Trim Black 90-93 R NA01-68-370-00

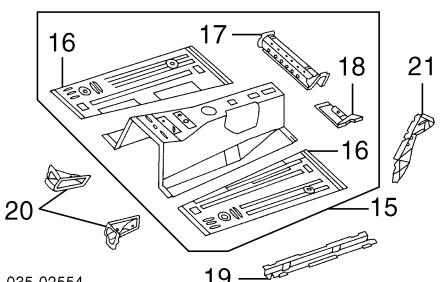
MAZDA MIATA 1990-97

ROCKER/PILLARS/FLOOR Cont'd



035-02553

- Tan
 - L NA01-68-390-00
 - 94-97 R NA75-68-370-00
 - L NA01-68-390-00
 - 90-93 R NA01-68-370-88
 - L NA01-68-390-88
 - 94-97 R NA75-68-370-88
 - L NA01-68-390-88
- Pillar, Lower Hinge**
 - 2 Outer R NA01-70-280B
 - L NA01-71-280C
 - 3 Inner R NA01-70-230C
 - L NA01-71-230C
- Pillar, Upper Hinge**
 - 4 Outer R NA01-70-210
 - L NA01-71-210
 - 5 Inner R NA01-70-240D
 - L NA01-71-240D
- 6 Header, Front Upper NA01-70-650
- 7 Header, Front Lower 90-95 NA01-70-640
- 96-97 NB38-70-640A
- 8 Bracket, Inst Panel R NA01-70-071A
- L NA01-71-071A
- 9 Panel, Rocker Outer R NA01-70-270B
- L NA01-71-270B
- 10 Reinf, Rocker Panel R NA01-70-275
- L NA01-71-275
- 11 Gusset, Front Rocker R NA01-70-274
- L NA01-71-274
- 12 Panel, Front Rocker Inner 90-93 R NA01-53-960D
- L NA01-54-96XC
- 94-96 R NA75-53-960
- L NA01-54-96XC
- 97 R NA01-53-960D
- L NA01-54-96XC
- Panel, Inner Rocker**
 - 13 Center 90-93 R/L N067-54-971A
 - 94 R/L N067-54-971A
 - 95-97 R/L N067-54-971A
 - R NA01-53-980E
 - L N067-54-95ZA
- Plate, Scuff**
 - Plastic R NA01-68-711-00
 - L NA01-68-721-00
 - Stainless Steel 90-96 R NA02-68-710A
 - L NA02-68-720B
 - 97 R NA02-68-710A
 - L NA02-68-720B

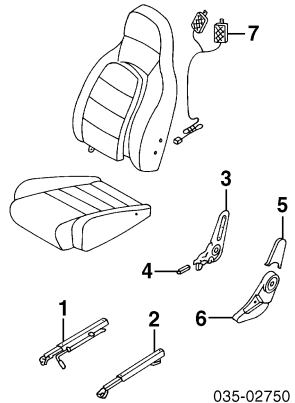


035-02554

- 15 Pan Assy, Front Floor 90-95 NA01-53-600B
- 96-97 NB38-53-600A
- 16 Pan, Floor Side 90-96 R NA01-53-602B
- L NA01-54-610C
- 97 R NA01-53-602B
- L NA01-54-610C
- 17 Crossmember 90-96 R NA01-53-650
- L NA01-54-650
- 97 R NA01-53-650A
- L NA01-54-650A
- 18 Bracket, Seat 90-96 R NA01-53-670
- L NA01-54-670A
- 97 R NA01-53-670A

- *Included w/Front Floor Pan Assy
- 19 Extension, Floor Side L NA01-54-670A
- 20 Brkt, Floor Front R/L N053-53-660A
- R NA01-53-482
- L NA01-54-482
- 21 Gusset, Floor Rear R NA01-53-725A
- L NA01-54-725A

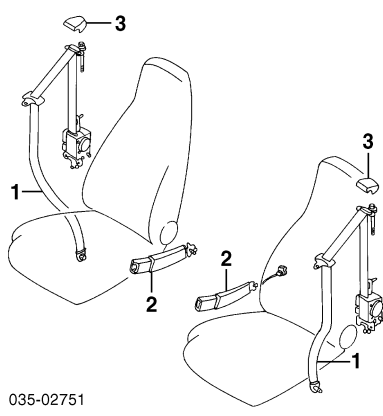
SEAT



035-02750

- 1 Adjuster, Seat Track Inr 90-96 R NA01-88-103A
- L NA01-88-152A
- 97 R NA75-88-103
- L NA01-88-152A
- 2 Adjuster, Seat Track Otr R NA01-88-102A
- L NA01-88-153A
- 3 Recliner, Seat R NA01-88-101C
- L NA01-88-151C
- 4 Knob, Recliner R NA01-88-034-00
- Black L NA01-88-084-00
- Tan R NA01-88-034-88
- L NA01-88-084-88
- 5 Cover, Upper Recliner R NA01-88-036-00
- Black L NA01-88-086-00
- Tan R NA01-88-036-88
- L NA01-88-086-88
- 6 Cover, Lower Recliner R NA01-88-031A-00
- Black L NA01-88-081A-00
- Tan R NA01-88-031-88
- L NA01-88-081A-00
- 7 Speaker, Radio (a) (b) R/L 0000-81-024A-01
- (a) Located in Headrest
- (b) Order by Application

SEAT BELTS



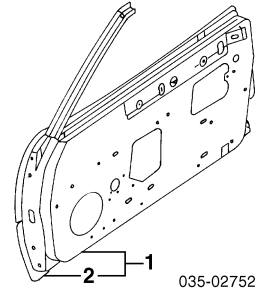
035-02751

- 1 Belt, Retractor Side Seat w/Air Bag Black 90-93 R NA82-57-630-00
- L NA01-57-690C-00
- 94-95 R NA75-57-630D-00
- L NA76-57-630E-00
- 96-97 R NA75-57-630G-00
- L NB38-57-630A-00
- 90-93 R NA82-57-630E-88
- L NA01-57-690B-88
- 94-95 R NA75-57-630D-88
- L NA76-57-630E-88
- 96-97 R NA75-57-630G-88
- L NB38-57-630A-88
- w/o Air Bag Black R NA82-57-630-00
- L NA07-57-690A-00
- Tan R NA82-57-630E-88
- L NA07-57-690-88

- 2 Belt, Buckle Side Seat 90-93 R NA01-57-620B-00
- L NA01-57-680B-00
- 94-97 R NA75-57-620-00
- L NA75-57-680A-00
- 3 Cover, Anchor R/L N026-57-631-00

FRONT DOOR

SHEET METAL

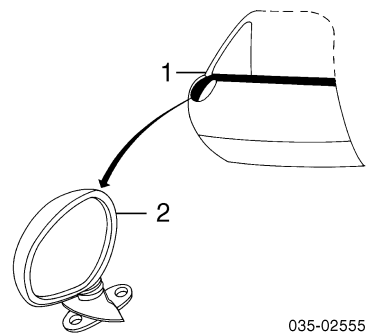


035-02752

- 1 Shell Assy, Door (HSLA) R NAY4-58-02XB
- L NAY4-59-02XB
- 2 Panel, Door Repair 90-93 R NA01-58-030C
- L NA01-59-030C
- 94-97 R NA52-58-030A
- L NA52-59-030A

*Included w/Door Shell Assy

EXTERIOR TRIM



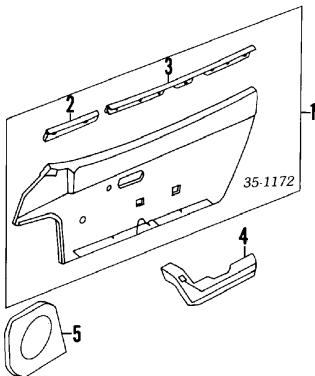
035-02555

- 1 W/Strip, Belt Outer R NA01-58-810E
- L NA01-59-810E
- 2 Mirror, Rear View 1990-94 Black R NA05-69-120A-PZ
- L NA05-69-180A-PZ
- Blue R NA05-69-120-DU
- L NA05-69-180A-DU
- Green R NA05-69-120-HU
- L NA05-69-180A-HU
- Red R NA05-69-120A-SU
- L NA05-69-180A-SU
- Silver R NA05-69-120A-3L
- L NA05-69-180-3L
- White R NA05-69-120A-JC
- L NA05-69-180A-JC
- Yellow R NA05-69-120A-HZ
- L NA05-69-180-HZ
- 1995-97 Manual To 2-95 Brilliant Black R NA05-69-120A-PZ
- L NA05-69-180A-PZ
- Chaste White R NA05-69-120C-PT
- L NA05-69-180C-PT
- Classic Red R NA05-69-120C-SU
- L NA05-69-180C-SU
- Laguna Blue R NA05-69-120C-6W
- L NA05-69-180C-6W
- Neo Green R NA05-69-120B-HU
- L NA05-69-180B-HU
- From 2-95 Artvin Red R NA05-69-120C-18
- L NA05-69-180C-18
- Brilliant Black R NA05-69-120C-PZ
- L NA05-69-180C-PZ
- Chaste White R NA05-69-120C-PT
- L NA05-69-180C-PT
- Classic Red R NA05-69-120C-SU
- L NA05-69-180C-SU
- Laguna Blue R NA05-69-120C-6W
- L NA05-69-180C-6W
- Montego Blue R NA05-69-120C-M8
- L NA05-69-180C-M8
- Neo Green R NA05-69-120C-HU
- L NA05-69-180C-HU
- Satellite Blue R NA05-69-120C-A5
- L NA05-69-180C-A5
- Pwr Remote

MAZDA MIATA 1990-97

Artvin Red	R NA52-69-120C-18 L NA52-69-180C-18
Brilliant Black	R NA52-69-120C-PZ L NA52-69-180C-PZ
Chaste White	R NA52-69-120C-PT L NA52-69-180C-PT
Classic Red	R NA52-69-120C-SU L NA52-69-180C-SU
Laguna Blue	R NA52-69-120C-6W L NA52-69-180C-6W
Montego Blue	R NA52-69-120C-M8 L NA52-69-180C-M8
Neo Green	R NA52-69-120C-HU L NA52-69-180C-HU
Satellite Blue	R NA52-69-120C-A5 L NA52-69-180C-A5

INTERIOR TRIM



1 Panel Assy, Trim

1990-93	
Man Windows	
Black	R NA01-68-420C-00 L NA01-68-450C-00
Black/Tan	R NA01-68-420C-88 L NA01-68-450C-88
Pwr Windows	
Black	R N019-68-420A-00 L N019-68-450A-00
Black/Tan	R N019-68-420A-88 L N019-68-450A-88
1994	
Pwr Windows	
w/Sensory Sound	
Plastic Kickplate	
Black	R N031-68-420C-00 L N031-68-450B-00
Tan	R N031-68-420B-88 L N031-68-450B-88
Stainless Steel Kickplate	
Black	R N021-68-420C-00 L N021-68-450C-00
Tan	R N021-68-420C-00 L N021-68-450E-88
w/o Sensory Sound	
Plastic Kickplate	
Black	R N030-68-420D-00 L N030-68-450D-00
Tan	R N030-68-420C-88 L N030-68-450B-88
Stainless Steel Kickplate	
Black	R N026-68-420B-00 L N026-68-450C-00
Tan	R N026-68-420B-88 L N026-68-450B-88
Man Windows	
w/Sensory Sound	
Black	R N029-68-420B-00 L N029-68-450B-00
Tan	R N029-68-420B-88 L N029-68-450B-88
w/o Sensory Sound	
Black	R N028-68-420C-00 L N028-68-450C-00
Tan	R N028-68-420B-88 L N028-68-450B-88
1995-96	
Man Windows	
w/Sensory Sound	R N036-68-420A-00 L N036-68-450A-00
w/o Sensory Sound	R N028-68-420C-00 L N028-68-450C-00
Pwr Windows	
w/Sensory Sound	R N035-68-420A-00 L N035-68-450A-00
w/o Sensory Sound	R N034-68-420-00 L N034-68-450-00
1997	
Man Windows	
w/CD Player	R NB86-68-420-00 L NB86-68-450-00
w/o CD Player	R NB84-68-420-00 L NB84-68-450-00
Pwr Windows	
w/CD Player	R NB87-68-420-00 L NB87-68-450-00
Black	R NB87-68-420D-80
Tan	R NB85-68-420-00 L NB85-68-450-00

w/o CD Player	L NB87-68-450D-80
Black	R NB85-68-420-00 L NB85-68-450D-00
Tan	R NB85-68-420-80 L NB85-68-450-80
*Order by Application	
2 W/Strip, Front Inner Belt	R/L NA02-58-821
3 W/Strip, Rear Inner Belt	R/L NA01-58-821A
*Included w/Trim Panel Assy	
4 Armrest/Grip	
1990-93	
Black	R BF70-69-370C-00 L BF70-69-390C-00
Tan	R BF70-69-370C-88 L BF70-69-390C-88
1994-95	R N026-69-D70-00 L N026-69-D90-00
1996-97	
Black	R BF70-69-370C-00 L BF70-69-390C-00
Tan	R BF70-69-370C-88 L BF70-69-390C-88
5 Grille, Speaker	
1990-93	
Black	R NA01-68-4H0-00 L NA01-68-4W0-00
Tan	R NA01-68-4H0-88 L NA01-68-4W0-88
1994-96	R N020-68-4E6 L N020-68-4V6
1997	
Man Windows	R/L A004-68-5H0-00
Pwr Windows	
w/CD Player	R/L BR72-68-3S0A-60
w/o CD Player	R/L A004-68-5H0-00
*Order by Application	
Speaker, Radio	
1990-93	R/L 0000-81-084A-01
1994-96	R/L 0000-81-7501
1997	R/L NB42-66-960

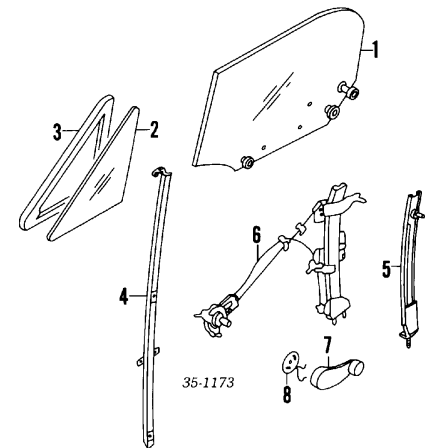
HARDWARE

1 Handle, Inside	90-96 R NA01-58-330A-00 L NA01-59-330C-00 97 R NA01-58-330C-00 L NA01-59-330C-00
2 Cover, Inside Handle	R/L NA01-58-303-00
3 Latch, Door	R NA01-58-310B L NA01-59-310B
Striker, Door-See Quarter Panel Section	
4 Cylinder Kit, Lock	90-94 R NA01-76-210E L N001-76-220E 95 R N001-76-210E L N001-76-220E 96-97 R N001-76-210E L N001-76-220E
5 Handle, Outside	R NA01-58-410D L NA01-59-410D
6 Hinge, Upper	R B156-59-240 L B156-58-240
7 Hinge, Lower	R B156-58-240 L B156-59-240
8 Shim, Hinge (2/Side)	R/L B092-58-201A
9 Check, Door	R/L NA01-58-270B
10 Weatherstrip, Door	R NA01-58-760J L NA01-59-760J
11 Welt, Seam	R/L NA01-68-911-00

GLASS & PARTS

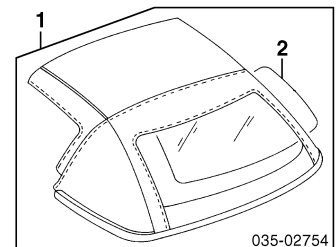
Illustration Located in Next Column

1 Glass, Front Door	90-96 R NA01-58-510 L NB39-59-510 97 R NB39-58-510 L NB39-59-510
2 Glass, Vent	



Mazda (Tint)	90-96 R NB39-58-661A L NA01-59-661
97 R NB39-58-661A	L NB39-59-661A
3 W/Strip, Vent Glass	R NA01-58-651B L NA01-59-651B
4 Channel, Division	R NA01-58-604B L NA01-59-604B
5 Guide, Glass	R NA01-58-603D L NA01-59-603D
6 Regulator, Window	
Manual	R NA01-58-560J L NA01-59-560J
Power	R NA02-58-560L L NA02-59-560L
Motor, Regulator-Serviced w/Pwr Window Regulator	90-93 R/L B092-58-580-00
7 Handle, Regulator	94-97 R/L S084-58-580A-00
8 Escutcheon, Handle	R/L B001-58-582A-00

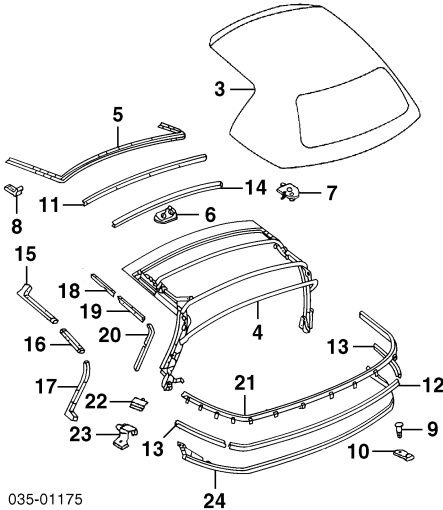
CONVERTIBLE TOP



1 Cover Assy, Top Outer	NA01-R1-210M Black Blue Tan NA02-R1-210F
2 Window, Back	Black Blue Tan NAY1-R1-240G NOY5-R1-240A NAY2-R1-240D
*Included w/Top Outer Cover Assy	
Cloth, Repair Top	Black Blue Tan NAY1-R1-211 NOY5-R1-211 NAY2-R1-211
Illustration Located in Next Column	
3 Cover, Top Inner	NA01-R1-96XD
4 Frame, Cover	NA01-R1-100E
5 Weatherstrip, Header	NA01-R1-711B
6 Handle, Top	NA01-R1-331
7 Latch, Top	R NA01-R1-310L L NA01-R1-320L
8 Striker, Latch	R NA01-R1-361H L NA01-R1-371H
9 Hook, Upper Pin	R/L NA01-R1-38XB
10 Base, Pin Hook	R/L FB67-R1-91YC
11 Plate Set, Front	NA01-R1-291A
12 Plate Set, Rear Center	NA01-R1-581D
13 Plate Set, Rear Outer	R NA01-R1-582B L NA01-R1-592B
14 Welt, Seam	NA01-R1-281
15 W/Strip, Frame Front	R NA01-R1-461 L NA01-R1-471
16 W/Strip, Frame Center	R NA01-R1-462 L NA01-R1-472
17 W/Strip, Frame Rear	R NA01-R1-463 L NA01-R1-473
Retainer, Weatherstrip	
Front	R NA01-R1-411C

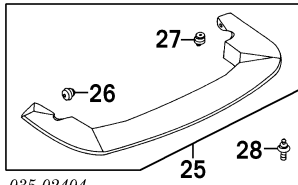
MAZDA MIATA 1990-97

CONVERTIBLE TOP Cont'd



035-01175

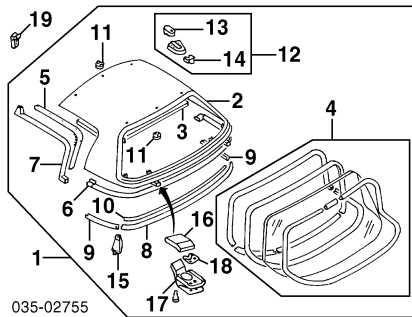
- 19 Center
 - L NA01-R1-421C
 - R NA01-R1-412C
 - L NA01-R1-422C
- 20 Rear
 - R NA01-R1-413C
 - L NA01-R1-423C
- 21 Moulding, Belt
 - NA01-R1-750E
- 22 Protector, Moulding
 - R NA01-R1-741B
 - L NA01-R1-742C
- 23 Cover, Belt
 - R NC10-R1-780G
 - L NC10-R1-790G
- 24 Rail, Drip
 - NC20-R1-560



035-02404

- 25 Boot Assy
 - Black NA01-R1-960H-66
 - Tan NA01-R1-960H-88
- 26 Hook, Corner (2/Side) R/L B235-R1-953
- 27 Hook, Top Boot (7)
 - Black NA01-R1-96Z-00
 - Silver NA01-R1-96Z-75
- 28 Hook, Inner R/L FB67-R1-91YC

HARDTOP



035-02755

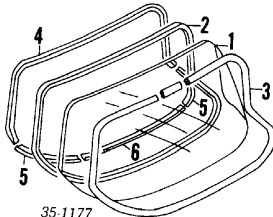
- 1 Panel Assy, Top
 - 1990-93
 - Body Color NA01-R1-81X-98
 - Primered (P) NA01-R1-81X-95
 - Black Interior NA01-R1-81X-95
 - Tan Interior NA01-R1-81X-98
 - 1994-95
 - USA (P) NA01-R1-81X-95
 - Canada N.A.
 - 1996-97 NB40-R1-810-PZ
- 2 Shell, Top Panel (7)
 - A5 Satellite Blue; HU Neo Green; M8 Montego Blue; PT Chaste White; PZ Brilliant Black; SU Classic Red; 18 Artvin Red; 3L Silver Stone; 6W Laguna Blue
 - (P) Paint to Match

- Primered (P) NA02-R1-82XA
 - Blue NA06-R1-810-DU
 - White NA03-R1-81X-98
 - 1991-97 (a) NA06-R1-82X-PZ
- (P) Paint to Match
 *Add'l Parts &/or Dealer Contact Required
 A5 Satellite Blue; HU Neo Green; M8 Montego Blue; PT Chaste White; PZ Brilliant Black; SU Classic Red; 18 Artvin Red; 3L Silver Stone; 6W Laguna Blue
 (a) Brilliant Black listed, Order by Application

- 3 Headliner N007-68-031-00
- 4 Glass, Back Window -See Back Window Section
- 5 Retainer, Side W/Strip
 - R NA01-R1-882
 - L NA01-R1-892
- 6 W/Strip, Top Rear NA01-R1-89XB
- 7 W/Strip, Top Side
 - R NA01-R1-881B
 - L NA01-R1-891B
- Moulding, Belt
 - Center 90-93 NA01-R1-935B
 - 94-97 NA01-R1-935B
 - 90-93 R NA01-R1-936A
 - L NA01-R1-946A
 - 94-97 R NA01-R1-936A
 - L NA01-R1-946A
- 10 Tape, Edge Protector NAY1-R1-937
- 11 Cover, Hole (6) G030-55-225-00
- 12 Latch Assy, Top Front
 - R NA01-R1-310L
 - L NA01-R1-320L
- 13 Cap, Latch (a) R/L NA01-R1-311
- 14 Pad, Cap (a) R/L NA01-R1-313B
- 15 Latch, Top Rear R/L NA02-R1-310G
- 16 Cover, Latch
 - R NA01-R1-861
 - L NA01-R1-871
- 17 Cushion, Latch
 - R NA01-R1-864
 - L NA01-R1-874
- 18 Plate, Latch R/L NA01-R1-863
- 19 Striker, Latch
 - R NA02-R1-361D
 - L NA02-R1-371D

BACK WINDOW

HARDTOP

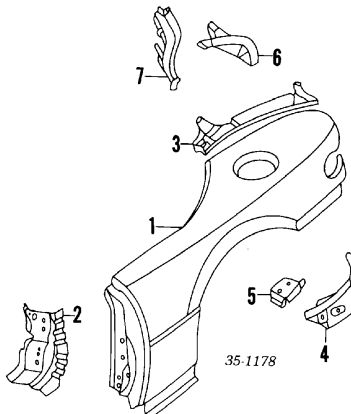


35-1177

- 1 Glass, Back Window
 - Mazda (Tint) N007-63-931
 - Heated 90-95 NA01-63-931C
 - Non-Heated 96-97 NB40-63-931
 - 2 Dam, Glass NA01-63-895
 - 3 Moulding Assy, Reveal NAY1-63-930
 - Cover, Joint (a) NA01-63-934
 - (a) Included w/Reveal Moulding Assy
 - 4 Protector, Glass Upper (2) NA01-63-936A
 - 5 Protector, Glass Side R/L NA01-63-936A
 - 6 Protector, Glass Lower NA01-63-936A
- *(Included w/Top Panel Assy-listed in Hardtop Section)

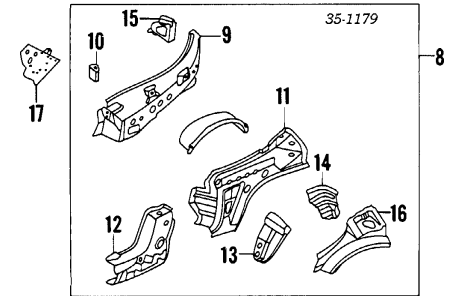
QUARTER PANEL

SHEET METAL



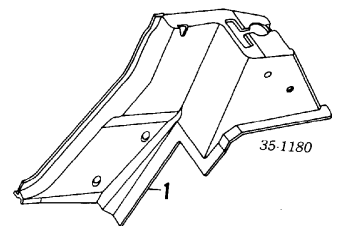
- 1 Panel, Quarter Door, Fuel
 - R NAY1-70-400B
 - L NAY1-71-400B
 - NA01-42-410B

- Antenna Assy, Manual
 - 1990-93 0000-81-1005
 - 1994-95 0000-81-2005
 - 1996-97 0000-81-856A
- Mast, Man Antenna
 - 90-95 0000-81-005A
 - 96-97 0000-81-904C
- *(Included w/Manual Antenna Assy)
- Antenna, Power 0000-81-9300
- Striker, Door R/L B001-58-361A
- 2 Reinf, Door Striker
 - R NA01-70-460
 - L NA01-71-460
- 3 Rail, Drip Rear
 - R NA01-70-440A
 - L NA01-71-440A
- 4 Panel, Lower Rear
 - L NA01-71-421
- 5 Brkt, Left Lower Panel
 - R NA01-71-453
- 6 Gusset, Rear
 - R NA01-70-445
 - L NA01-71-445
- 7 Housing, Lamp
 - R NA01-70-J30
 - L NA01-71-J30



- 8 Panel Assy, Inner
 - 90-93 R NA01-70-100L
 - L NA01-71-100G
 - 94-97 R NA75-70-100
 - L NA75-71-100
 - 9 Panel, Inner
 - R NA01-70-19XF
 - L NA01-71-19XF
 - 10 Bracket, Inner Panel R/L NA01-71-192
 - 11 Reinf, Belt Line
 - R NA01-70-116D
 - L NA01-71-116F
 - 12 Plate, Joint Lower Front
 - R NA01-70-12XA
 - L NA01-71-12XA
 - 13 Plate, Seal
 - R NA01-70-11Z
 - L NA01-71-11Z
 - 14 Protector, Rear Splash Shield
 - R NA01-70-15X
 - L NA01-71-15XA
 - 15 Bracket, Battery NA01-70-17XA
 - 16 Panel, Strut
 - R NA01-70-111C
 - L NA01-71-11XB
 - *(Included w/Inner Panel Assy)
 - Shield, Splash
 - R NA01-56-311D
 - L NA01-56-321D
 - 17 Plate, Closing
 - 90-93 R NA01-70-670
 - L NA01-71-670
 - 94-97 R NA01-70-670
 - L NA01-71-670C
- Panel Assy, Bulkhead Insulator, Bulkhead NA01-56-39YA
 *(Included w/Bulkhead Panel Assy)

INTERIOR TRIM



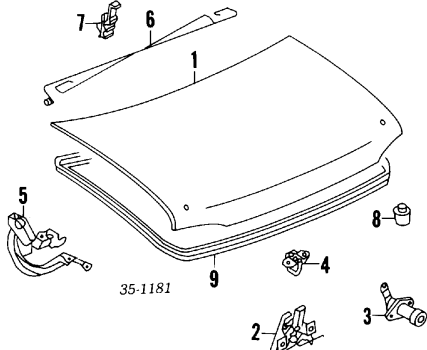
35-1180

- 1 Panel, Quarter Trim
 - 1990-93
 - Soft Top
 - Black R NA01-68-520A-00
 - L NA01-68-550A-00
 - Tan R NA01-68-520A-88
 - L NA01-68-550A-88
 - Hardtop
 - Black R NA02-68-520A-00
 - L NA02-68-550A-00
 - Tan R NA02-68-520A-88
 - L NA02-68-550A-88
 - 1994-97
 - Soft Top
 - Black R NA75-68-520-00
 - L NA75-68-550-00
 - Tan R NA75-68-520A-88
 - L NA75-68-550-88
 - Hardtop
 - Black R NA76-68-520-00
 - L NA76-68-550-00
 - Tan R NA76-68-520-88
 - L NA76-68-550-88
- Trim, Package Tray 1990-95

MAZDA MIATA 1990-97

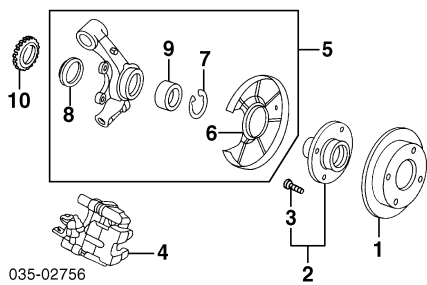
Black	NA01-68-3F1F-00
Tan	NA01-68-3F1F-88
1996-97	
Black	NB38-68-3F1C-02
Tan	NB38-68-3F1C-88

LUGGAGE LID

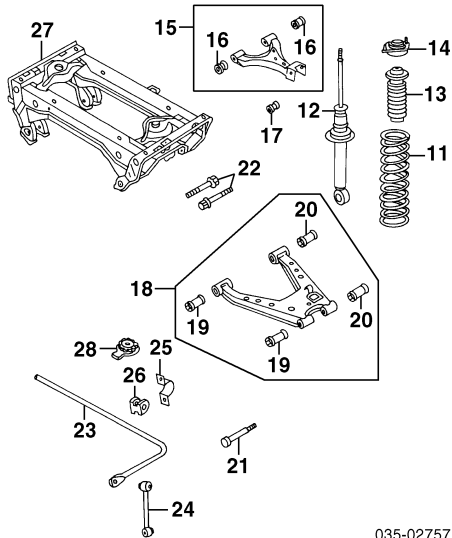


- 1 Lid, Luggage NAY1-52-610E
 - 2 Latch 90-93 N007-56-820
94-95 N007-56-820
96-97 NB38-56-820
 - 3 Cylinder & Key 90-95 NA14-76-230F
96-97 NA14-76-230F
 - 4 Striker, Latch NA01-56-840
 - 5 Hinge R NA01-52-710C
L NA01-52-720B
 - 6 Bar, Torsion R NA01-52-791B
L NA01-52-792B
 - 7 Holder, Torsion Bar NA01-56-805
 - 8 Cushion, Rubber 90-93 R/L B092-62-877
94-97 R/L B481-56-786
 - 9 Weatherstrip, Lid NA01-56-951
- Lamp, High Mount Stop-See Rear Lamps Section

REAR SUSPENSION

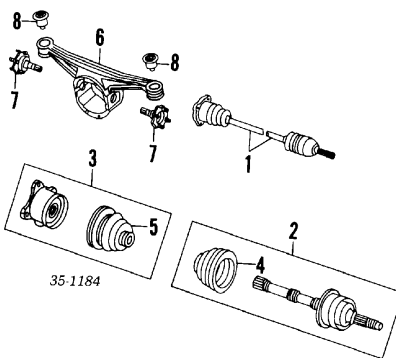


- 1 Rotor, Brake 90-93 R/L NA01-26-251D
94-97 R/L BB4C-26-251C
 - 2 Hub Assy R/L B01A-33-060A
 - 3 Bolt, Lug (4/Side) R/L B01Y-33-062
 - 4 Caliper, Brake 90-93 R NAY1-26-98ZR
L NAY1-26-99ZR
94-96 R NAY5-26-98ZR
L NAY5-26-99ZR
97 R NAY5-26-98ZR
L NAY5-26-99ZR
 - 5 Knuckle Assy w/ABS 90-93 R NA23-26-130A
L NA23-26-140A
94-97 R NA80-26-130
L NA80-26-140
w/o ABS 90-93 R NA01-26-130B
L NA01-26-140B
94-97 R NA80-26-130
L NA80-26-140
 - 6 Shield, Splash (1) 90-93 R/L NA01-26-261A
94-97 R/L B530-26-261B
 - 7 Ring, Retaining (1) R/L B21M-33-048
 - 8 Seal, Grease (1) R/L G304-33-065
 - 9 Bearing, Knuckle (1) R/L B455-33-047D-MV
 - Sensor, ABS-See Anti-Lock Brake System Section
 - Ring, ABS Sensor R/L B603-33-471
 - Hose, Brake 90-93 R NA01-43-980A
L NA01-43-990A
94-97 R NA75-43-980A
L NA75-43-990A
- Illustration Located in Next Column
- 11 Spring, Coil w/Sport Pkg R/L N021-28-011



- 12 Strut 1990-93 R/L NA01-28-700
1994 R/L N018-28-700B
1995-97 w/Sport Pkg R/L N023-28-700B
w/o Sport Pkg R/L N018-28-700B
- 13 Stopper, Bumper w/Sport Pkg R/L N021-34-111
w/o Sport Pkg R/L NA01-28-111
- 14 Insulator, Mount R/L NA01-28-380B
- 15 Arm Assy, Upper R/L NC10-28-C10
- 16 Bushing, Rubber (2/Side) R/L NA01-28-8C0C
- 17 Bushing, Upper Arm R/L NA01-28-8C0C
- 18 Arm Assy, Lower R NC10-28-310
L NC10-28-360
- 19 Bushing, Arm Front (1) R NA01-28-460
L NA01-28-4D0
- 20 Bushing, Arm Rear (1) R NA01-28-460
L NA01-28-4B0
- 21 Bolt, Lower Arm Outer R/L NA01-28-113
- 22 Bolt, Lower Arm Inner-Adjust (2/Side) 90-96 R/L NA80-28-66ZD
97 R/L NA80-28-66ZD
- 23 Bar, Stabilizer 90-93 NA01-28-151A
94-97 N023-28-151A
- 24 Link, Stab Bar R/L NA01-34-170
- 25 Bracket, Stab Bar R/L FB01-28-155
- 26 Bushing, Bar 90-93 R/L FB01-28-156
94-97 R/L N023-28-156
- 27 Crossmember, Suspension NA75-28-800C
- 28 Washer, Crossmember R/L NA01-28-880C

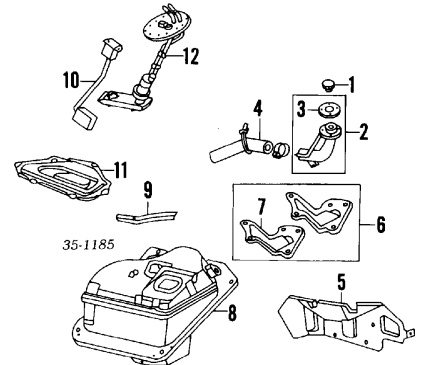
REAR DRIVE AXLE



- 1 Shaft Assy, Axle w/ABS 1990-93 R/L M091-25-500R-00
1994-97 To 2-95 R/L MD21-25-500
From 2-95 R/L MD21-25-500
w/o ABS 1990-93 R/L M090-25-500R-00
1994-97 To 2-95 R/L MD03-25-500
From 2-95 R/L MD21-25-500
- 2 Joint Assy, Outer (1) w/ABS 90-93 R/L M091-22-510
94-97 R/L MD03-22-510B

- w/o ABS 90-93 R/L M090-22-510
94-97 R/L MD02-22-510A
- 3 Joint Assy, Inner (1) 90-93 R/L M090-22-520
94-97 R/L MD02-22-520B
- 4 Boot Set, Outer (1) (a) R/L M090-22-530-9U
(a) Included w/Outer Joint Assy
- 5 Boot Assy, Inner (1) (b) R/L M090-22-540-9U
(b) Included w/Inner Joint Assy
- 6 Case, Differential 90-93 T020-27-600G
94-97 MA02-27-600A
- 7 Shaft, Output 1990-93 Standard R/L TA01-27-270
LSD R T015-27-270A
L T015-27-280A
- 8 Insulator, Differential Case 1994-95 R/L M055-27-270C
R/L NA01-28-890

FUEL TANK



- 1 Cap, Filler 90-95 NA02-42-250
96-97 NB38-42-250
- 2 Pipe Assy, Fuel Fill NA01-42-210A
- 3 Gasket, Filler Pipe (1) 0866-42-366B
- 4 Hose, Filler 90 NA01-42-241
91-97 NA01-42-241C
- 5 Protector, Filler Pipe (1) To 1-95 NB44-42-290
From 1-95 NB44-42-290
- 6 Cover Assy, Dust (1) Located Inside Luggage Compartment
90-93 NA01-42-230
94-97 NA75-42-240
- 7 Gasket, Dust Cover (1) NA01-42-233
- 8 Tank, Fuel 1990-93 Man Trans NA01-42-110C
Auto Trans NA03-42-110B
1994-97 NA75-42-110
NA01-42-762
- 9 Pad, Fuel Tank 90-93 NA01-60-960
- 10 Gauge, Fuel 94-97 NA75-60-960A
90-93 NA01-56-260
- 11 Cover, Fuel Gauge 90-93 B61P-13-350B
94 BPE8-13-350
- 12 Pump, Fuel Electric 95-97 BPE8-13-35Z

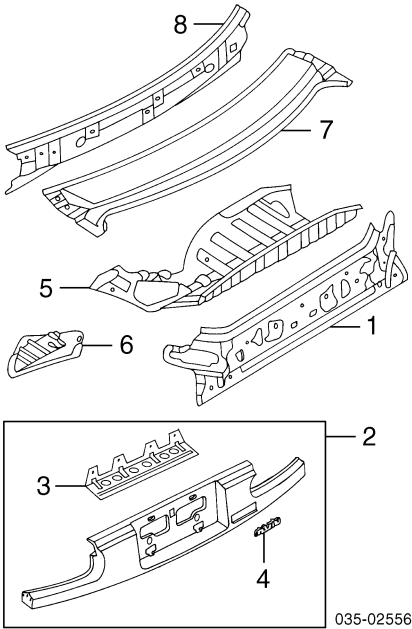
REAR BODY

Illustration Located in Next Column

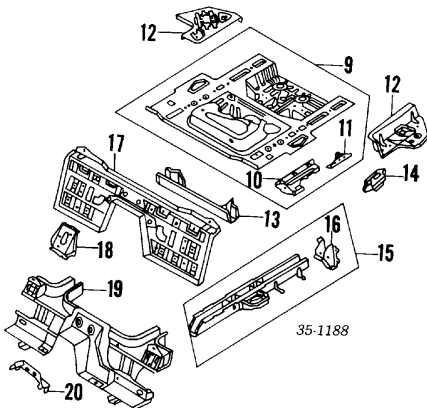
- 1 Panel, Rear Body Lower NA01-70-750G
- 2 Panel Assy, Finish 1990-93 Brilliant Black NA01-50-8POA-PZ
Classic Red NA01-50-8POA-6W
Crystal White NA01-50-8POA-UC
Mariner Blue NA01-50-8POA-DU
Neo Green NA01-50-8POA-HU
Silver Stone NA01-50-8POA-3L
Sunburst Yellow NA01-50-8POA-3L
1994 Brilliant Black NA01-50-8POA-PZ
Chaste White NA01-50-8POA-PT
Classic Red NA01-50-8POA-SU
Laguna Blue NA01-50-8POA-6W
Montego Blue NA01-50-8POA-M8
1995-97 Artvin Red NA01-50-8POA-18
Brilliant Black NA01-50-8POA-PZ
Chaste White NA01-50-8POA-PT
Classic Red NA01-50-8POA-SU
Excellent Green NA01-50-8PO-46
Laguna Blue NA01-50-8POA-6W
Montego Blue NA01-50-8POA-M8
Neo Green NA01-50-8POA-HU
Satellite Blue NA01-50-8POA-A5
Silver Stone NA01-50-8POA-3L
Sunburst Yellow NA01-50-8POA-NZ

MAZDA MIATA 1990-97

REAR BODY Cont'd



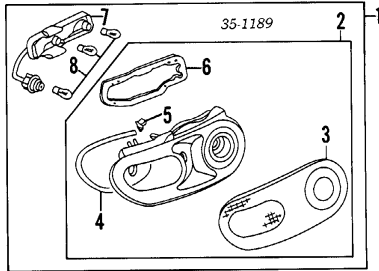
- 3 **Reinf. Finish Panel**
1990-93† NA01-50-852
1994-97-Serviced w/Finish Panel Assy
- 4 **Nameplate**
"MAZDA"† NA01-51-711
"Miata Mazda MX-5" NA01-51-721A
†Included w/Finish Panel Assy
- 5 **Panel, Bulkhead** NA01-70-51Y
- 6 **Cover, Bulkhead Panel** NA01-56-971
- 7 **Panel, Rear Upper Body** NA01-70-521B
- 8 **Member, Rear Deck** NA01-70-530D



- 9 **Pan Assy, Rear Floor** 90 NA01-53-710B
91-97 NA01-53-710B
- 10 **Plate, Side Front†** R NA01-53-750
L NA01-54-750B
- 11 **Plate, Side Rear†** R/L NA01-53-760B
†Included w/Rear Floor Pan Assy
- 12 **Extension Assy, Rear Floor** R NA01-53-740C
L NA01-54-740A
B455-53-750C
- Bracket, Jack†**
†Included w/Left Rear Floor Extension Assy
- 13 **Crossmember, Rear Floor** NA01-53-931
- 14 **Hook, Tie-Down** R NA01-56-29XC
L NA01-56-290C
- 15 **Rail Assy, Rear** R NA01-53-810J
L NA01-54-810J
- 16 **Bracket, Bumper†** R NA01-53-830C
L NA01-54-830C
†Included w/Rear Rail Assy
- 17 **Pan, Center Floor** 90-93 NA01-53-720
94-97 NA75-53-720
- 18 **Gusset, Center Floor** 90-93 NA01-53-880
94-97 NA01-53-880A
- 19 **Xmbr, Center Floor** 90-93 NA01-53-900B
94-97 NA75-53-900A
- 20 **Brkt, Brake Cable** NA01-53-819

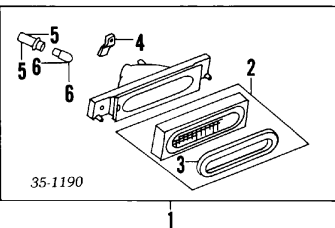
REAR LAMPS

COMBINATION LAMP



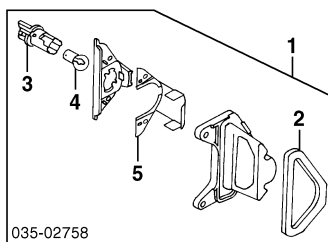
- 1 **Lamp Assy, Combination** R 8BN1-51-150
L 8BN1-51-160
- 2 **Lens & Body Assy†** R NA01-51-170B
L NA01-51-180B
- 3 **Lens† (a)** R NA01-51-15XC
L NA01-51-16XC
- 4 **Protector, Body† (a)** R NA01-51-159
L NA01-51-169
- 5 **End, Protector† (a)** R NA01-51-173
L NA01-51-183
- 6 **Gasket, Body† (a)** R/L NA01-51-158
(a) Included w/Lens & Body Assy
- 7 **Socket & Wire†** R N001-51-155A
L N001-51-165A
- 8 **Bulb†**
Back-Up/Signal (2/Side) R/L 0000-11-1156
Stop/Tail R/L 0000-11-1157
†Included w/Lamp Assy

HIGH MOUNT STOP LAMP



- 1 **Lamp Assy†** 90-96 NA01-51-580B
97 NA12-51-580C
†Located on Luggage Lid
- 2 **Lens Assy**
1990-96 (a) NA01-51-58XA
1997-Serviced w/Lamp Assy
- 3 **Gasket, Lens (a) (b)** NA01-51-592B
(b) Included w/Lens Assy
- 4 **Fastener**
1990-96 (a) NA01-51-599
1997-Serviced w/Lamp Assy
- 5 **Socket (a)** 90-96 BJ38-51-584
97 NA12-51-584
- 6 **Bulb (a)** 90-96 0000-11-0921
97 9970-13-210
(a) Included w/Lamp Assy

LICENSE LAMP

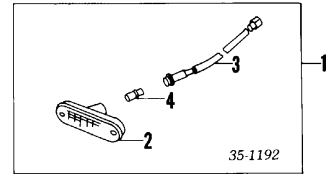


- 1 **Lamp Assy** R/L 8BF1-51-270
- 2 **Gasket, Mtg†** R/L FB67-51-273
- 3 **Socket & Wire†** R/L FB67-51-272
- 4 **Bulb†** R/L 0000-11-0089
- 5 **Shade, Lamp†** R/L FB67-51-276
†Included w/Lamp Assy

SIDE MARKER LAMP

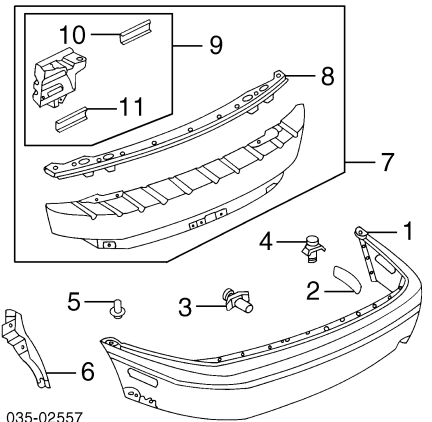
Illustration Located in Next Column

- 1 **Lamp Assy** R 8BN1-51-550



- 2 **Lens & Body†** L 8BN1-51-560
R NA01-51-5H1C
L NA01-51-5J1C
- 3 **Socket & Wire†** R NA01-51-5H2A
L NA01-51-5J2A
- 4 **Bulb†** R/L 0000-11-0194
†Included w/Lamp Assy

REAR BUMPER



- 1 **Cover, Rear (P)** NAY1-50-220A-8J
(P) Paint to Match
- 2 **Seal, Cover Side** R/L NA01-50-0G8
- 3 **Retainer, Cover (5)** BF82-50-233
- 4 **Fastener, Cover (11)** BF67-50-033
- 5 **Slide, Bumper** R/L GJ21-50-032
- 6 **Shield, Splash** R NA01-50-2S4
L NA01-50-2S5
- 7 **Reinforcement Assy** NA01-50-260
- 8 **Retainer, Reinf†** NA01-50-2J0
- 9 **Stay Assy, Support†** R NA01-50-280A
L NA01-50-290A
- 10 **Plate Set† (a)** R/L NA01-50-28YC
- 11 **Plate Set† (a)** R/L NA01-50-28XC
†Included w/Reinforcement Assy
(a) Included w/Support Stay Assy