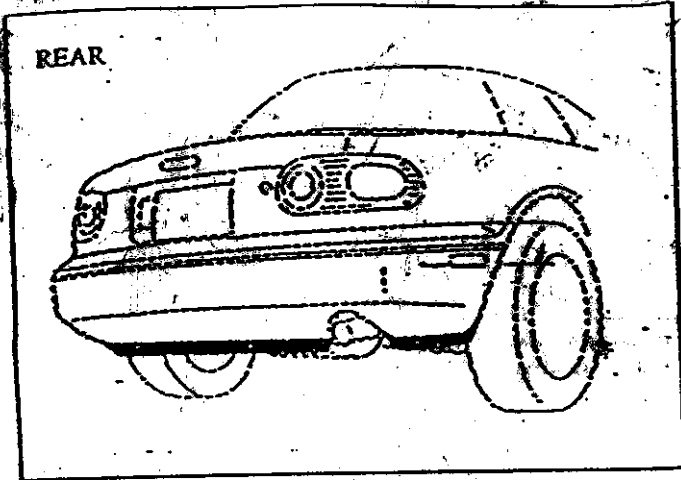
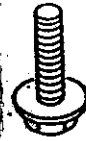


MAZDA MX-5 *Miata* REAR SKIRT INSTALLATION INSTRUCTIONS

REV. MAY '93



Hardware supplied:



(A)
M6 Bolt
(12)
(2 EXTRA)



(B)
M6 Nut
(12)
(2 EXTRA)

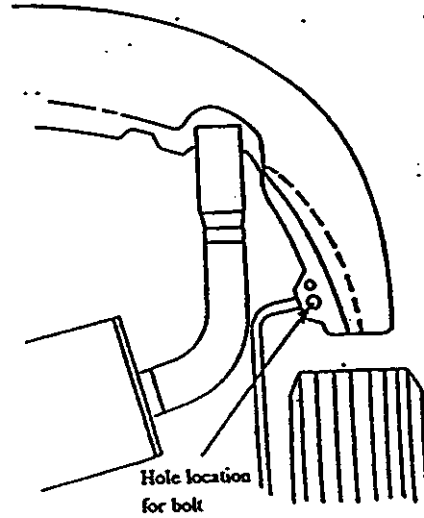
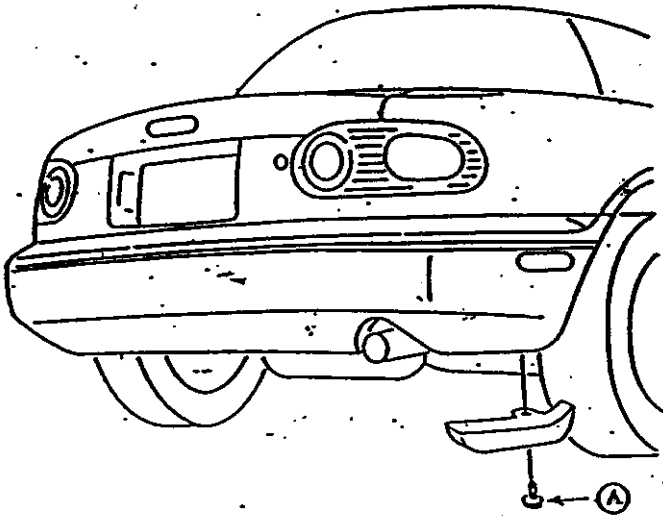


(C)
U-Clip
(9)

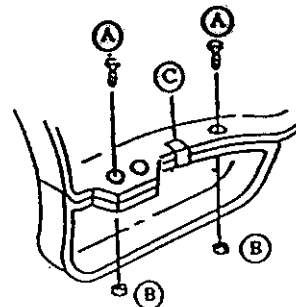
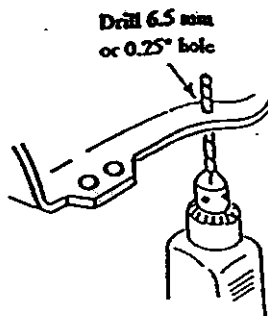
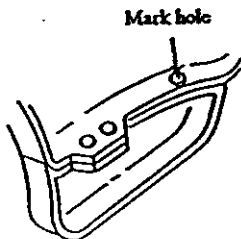
INSTALLATION POINTS HAVE BEEN MARKED ON BUMPER MOLDED AFTER SEPTEMBER 1989. IF SO, RECHECK LOCATIONS FIRST. DRILL THROUGH FASCIA WITH 6.5 mm OR 0.25" DRILL BIT.

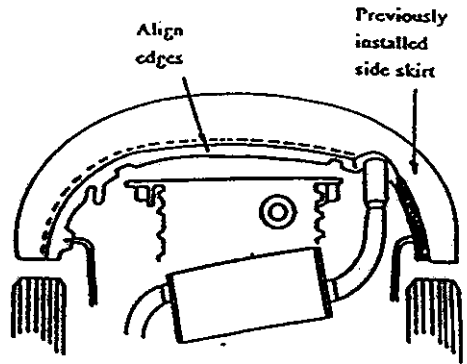
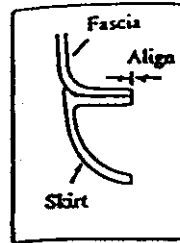
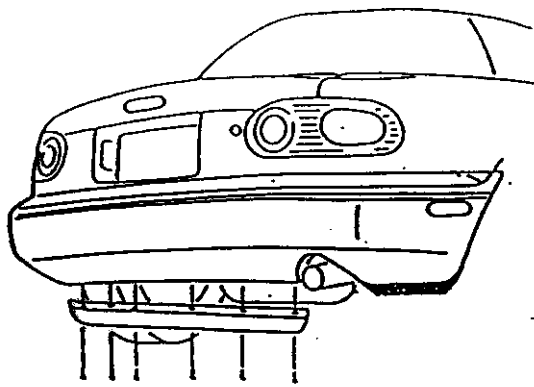
OPERATION 1: SHORT PIECE

1. Install short piece of rear skirt using bolt (A) and nut (B) just behind passenger side rear wheel.
2. Align inner edge and install U-Clip (C). Check fit and adjust as required.



3. Mark hole location. Remove short piece and drill 6.5 mm or 0.25" holes through fascia. Reinstall short piece using fasteners as shown.

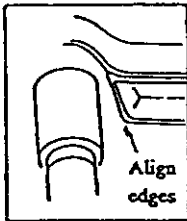




PROPER ALIGNMENT OF THE PART IS CRITICAL TO FINISHED APPEARANCE OF INSTALLATION.

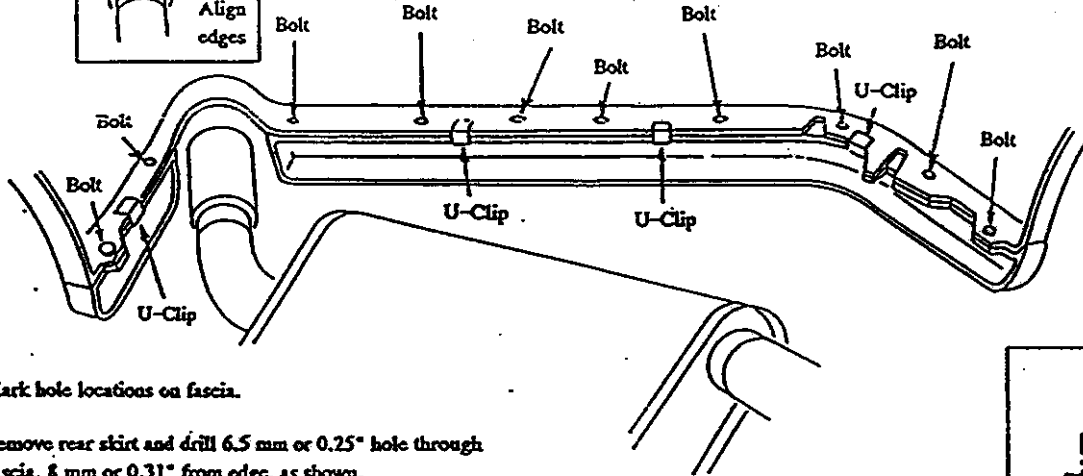
OPERATION 2: MAIN PIECE

1. Install rear skirt, using bolt (A) and nut (B) provided, through existing hole in rear skirt and fascia just behind driver's side rear wheel.



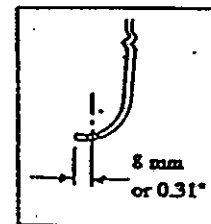
2. Align passenger side of skirt with exhaust opening.

3. Fasten skirt using U-clips (C) provided. Make sure inner edge of fascia and rear skirt are aligned.



4. Mark hole locations on fascia.

5. Remove rear skirt and drill 6.5 mm or 0.25" hole through fascia, 8 mm or 0.31" from edge, as shown.



6. Reinstall skirt with fasteners as shown.

