

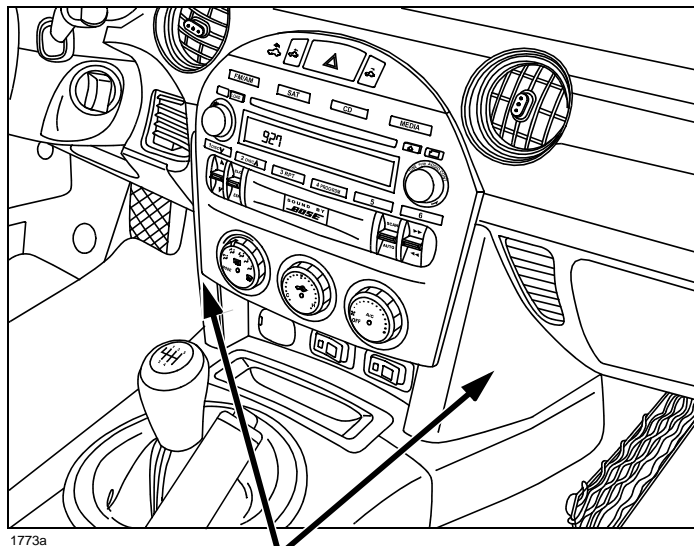
<b>Subject:</b> CENTER CONSOLE SIDE WALL REMOVAL CAUTION - SERVICE TIP	<b>Bulletin No:</b> 09-007/07
	<b>Last Issued:</b> 2/22/2007

## APPLICABLE MODEL(S)/VINS

2006-2007 MX-5

## DESCRIPTION

When removing the side wall of the center console panel during service, care must be taken and proper sequence must be followed or the clips and/or hooks on the side wall may break requiring replacement of the side wall.



SIDE WALL

For proper removal of the sidewall, please refer to the following procedure.

## REPAIR PROCEDURE

When removing the side wall(s) of the center console during servicing, care must be taken and the proper procedure must be followed or the clips and/or hooks on the side wall(s) may be broken, requiring unnecessary replacement of the side wall(s).

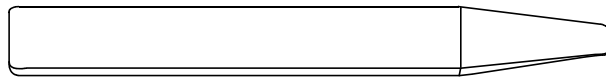
### CAUTION:

- DO NOT forcibly pull the side wall outward (to the side), to prevent damage.
1. Using a plastic windshield setting tool or equivalent insert between side wall and center panel, then carefully pry rearward (toward rear of vehicle) to disengage clips and hooks.

**NOTE:**

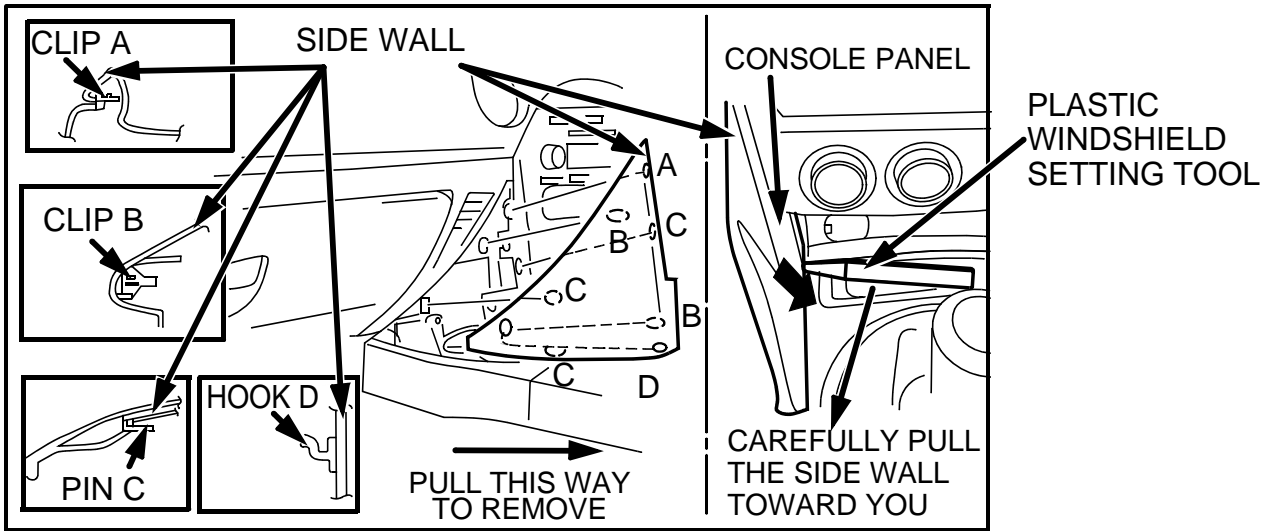
- Plastic Windshield Setting Tool (Part Number IS742 - available from Equalizer at 800-334-1334) or similar available through a local supplier.
- If a flat-tipped screwdriver is to be used, wrap the tip in tape to prevent damage to the center console or the shift panel.

**PLASTIC WINDSHIELD SETTING TOOL**



1501a

2. Carefully pull the side wall rearward to disengage pins "C" and remove.



1773b

3. To install, place pins "C" in place and slide forward (toward front of vehicle) until clips "A", "B" and hook "D" engage.

