

© 2010 Mazda Motor of America, Inc.

Subject: WATER ACCUMULATION IN FOOTWELL / PLUGGED SOFT TOP DRAINS	Bulletin No: 09-046/10
	Last Issued: 10/15/2010

BULLETIN NOTE

- This bulletin supersedes the previous bulletins 09-001/07 issued on 04/17/07, 09-021/09 issued on 04/06/09, 05/15/09 and 07/17/09. The PARTS INFORMATION has been revised.
- Changes are noted below in Red beside the change bar.

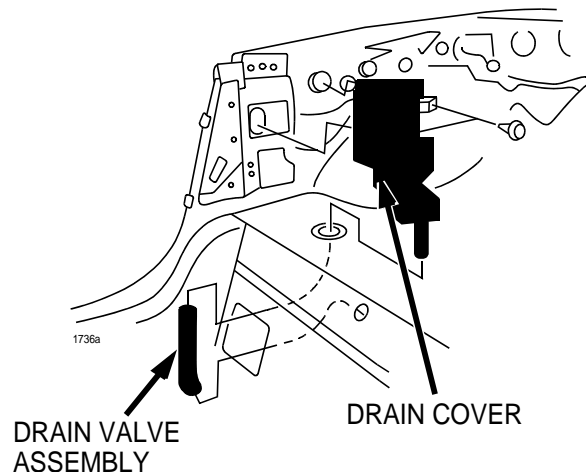
APPLICABLE MODEL(S)/VINS

TYPE A VEHICLES: 2006-2007 MX-5 soft top models with VINs lower than JM1NC****7*131735 (produced before November 20, 2006)

TYPE B VEHICLES: 2007-2009 MX-5 soft top models with VINs between JM1NC****7*131736 (November 21, 2006) and JM1NC****9*203430 (March 1, 2009)

DESCRIPTION

Some vehicles equipped with the folding soft top may experience water accumulation in the foot wells due to the soft top drains becoming clogged with leaves and other debris.



As mass production changes:

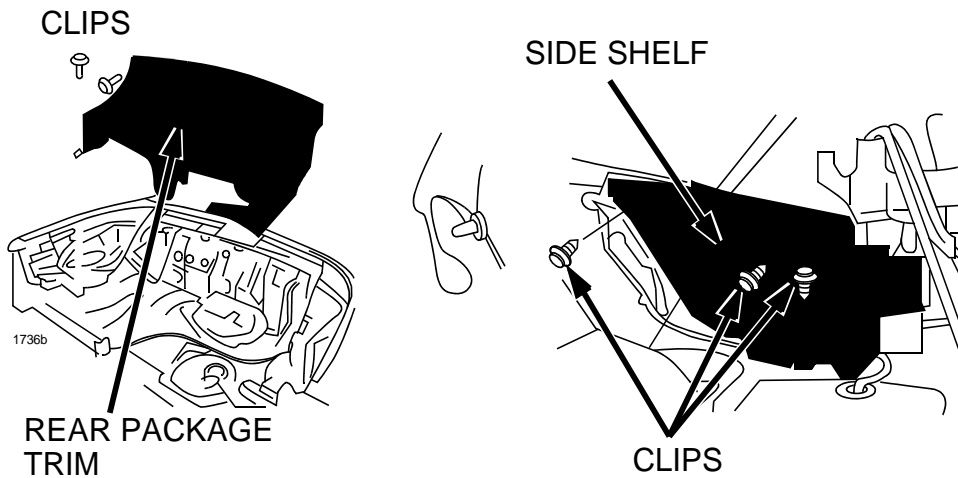
- A filter has been added to the drain valve assembly to prevent leaves or other foreign substance from clogging the drain.
- Ribs have been added to the upper and lower valves of the drain valve assembly to prevent the valves (rubber flaps) from being forced out of position in the event compressed air is used to clear the drains from under the vehicle.
- A foam urethane filter has been established for the drain cover.

Vehicles with clogged drains should have the drain assemblies updated as described in the following repair procedure, also included in this bulletin are maintenance tips for the customers to perform to ensure dependable operation of these drains.

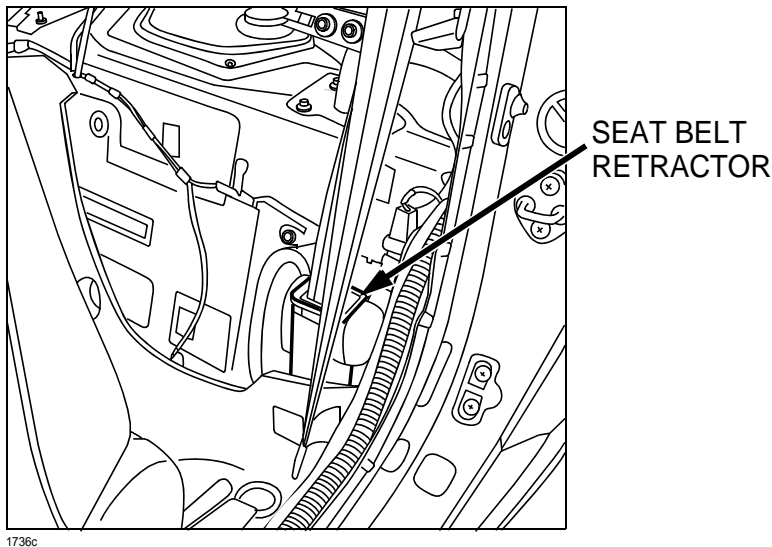
REPAIR PROCEDURE

NOTE: Removal of the soft top is not required to perform the repair procedure. Illustrations in this bulletin are for component identification and location purposes only.

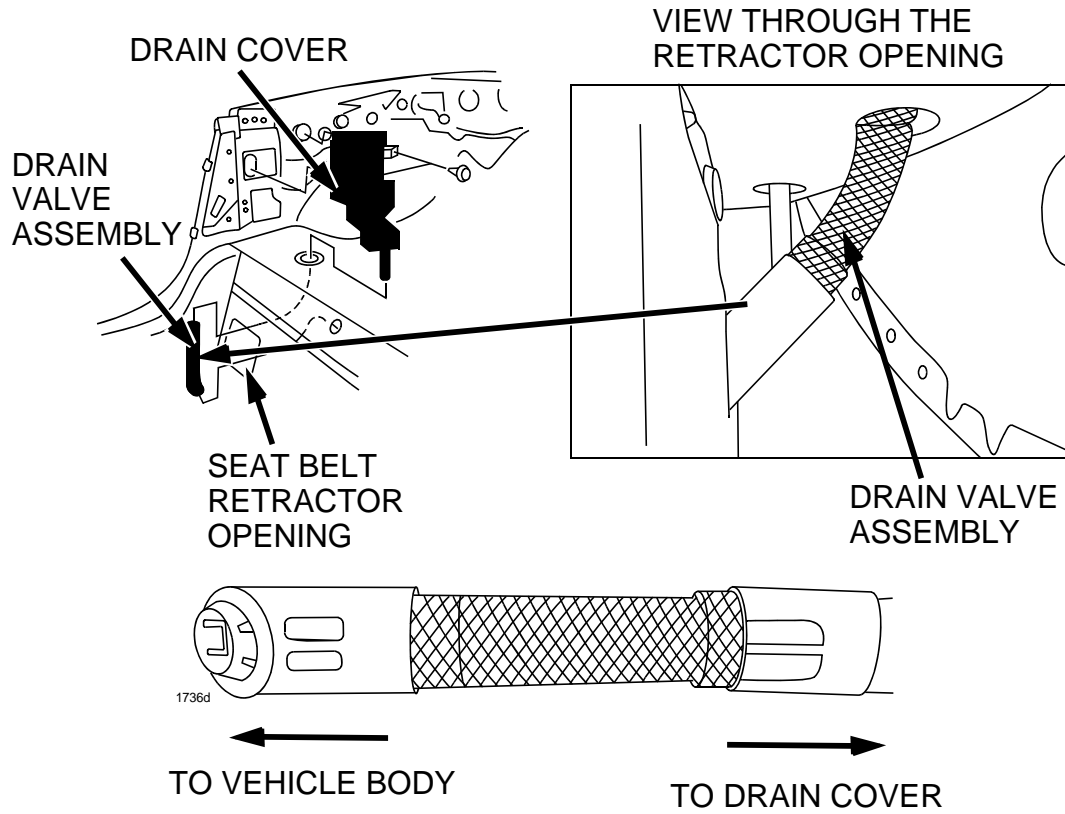
1. Verify customer concern.
2. Remove rear package trim according to Workshop Manual (section 09 -17 REAR PACKAGE TRIM REMOVAL/INSTALLATION) and related components, then remove the left and right side shelves according to Workshop Manual (section 09-17 SIDE SHELF REMOVAL/INSTALLATION).



3. Remove the seat belt retractors and covers according to Workshop Manual (section 08-11 SEAT BELT REMOVAL/INSTALLATION).

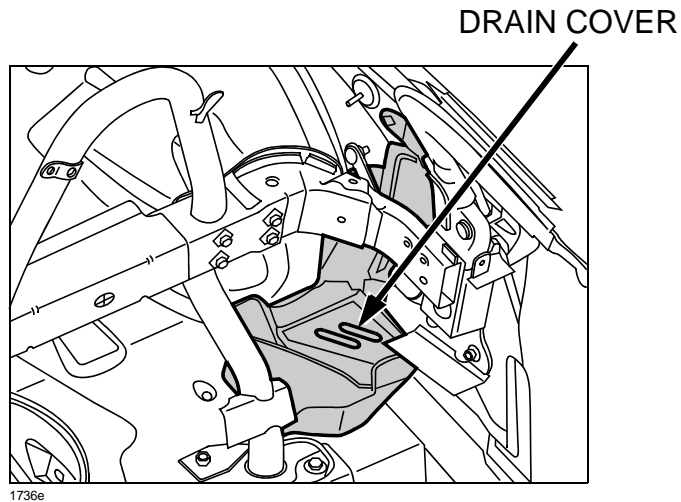


- TYPE A VEHICLES: Proceed to next step.
 - TYPE B VEHICLES: Proceed to "TYPE B VEHICLES" under DRAIN VALVE REPLACEMENT.
4. Using seat belt retractor holes for access, remove the drain valve assemblies.



DRAIN COVER FILTER INSTALLATION

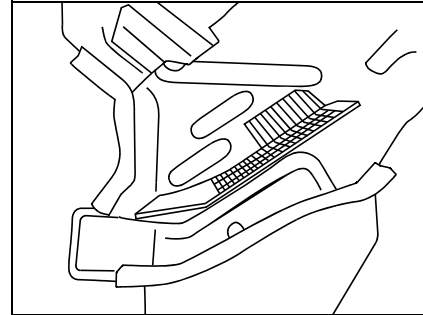
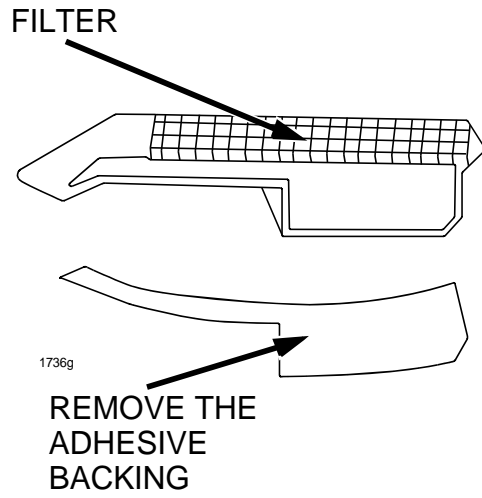
1. Clean and degrease the drain cover assemblies.



2. To ensure proper adhesion of the filter to drain cover assemblies, wipe down contact area with Isopropyl alcohol.



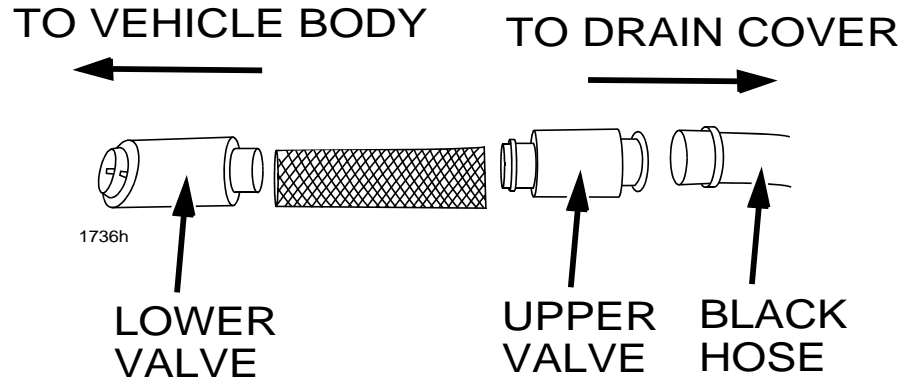
3. Peel the adhesive backing sheet from the filter and affix it to the bottom of the drain cover.



INSTALL THE FILTER TO THE
DRAIN COVER AS SHOWN

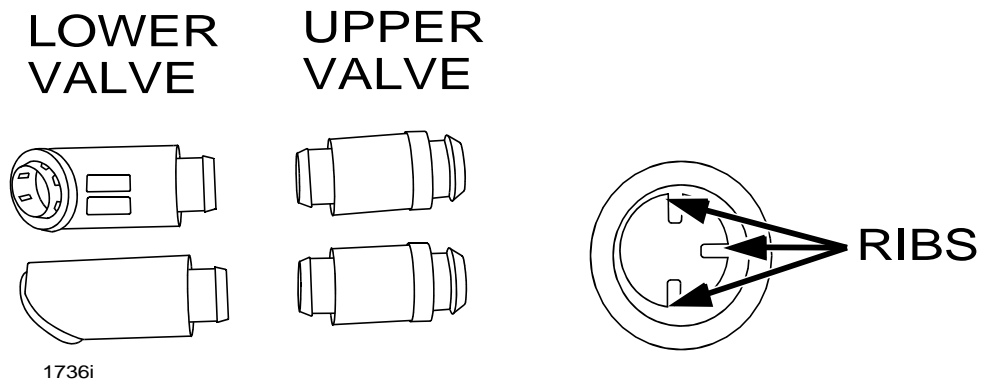
DRAIN VALVE REPLACEMENT

1. Disassemble the drain valve assembly. Note installation position of the lower valve for proper orientation during assembly.



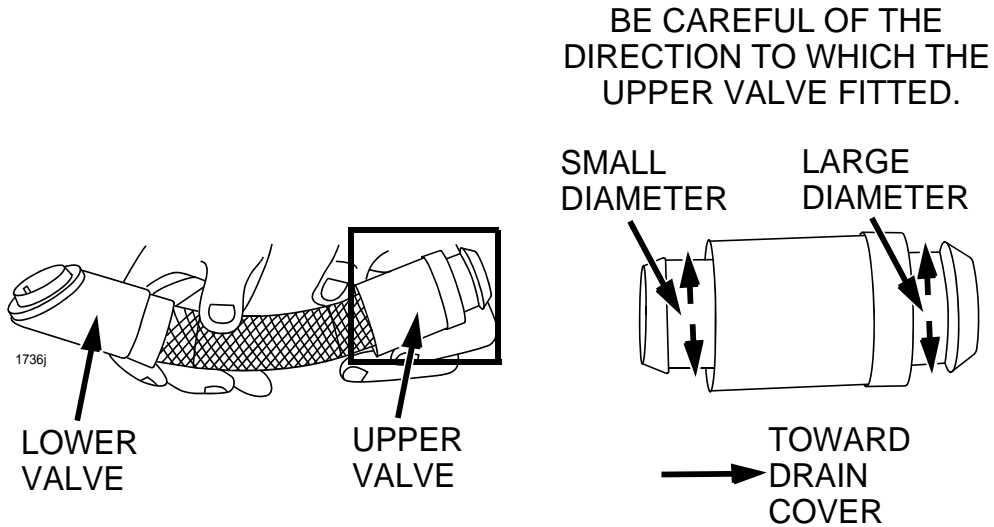
2. Replace the upper and lower valves with modified ones.

NOTE: The modified valves can be identified by the ribs inside the valve.



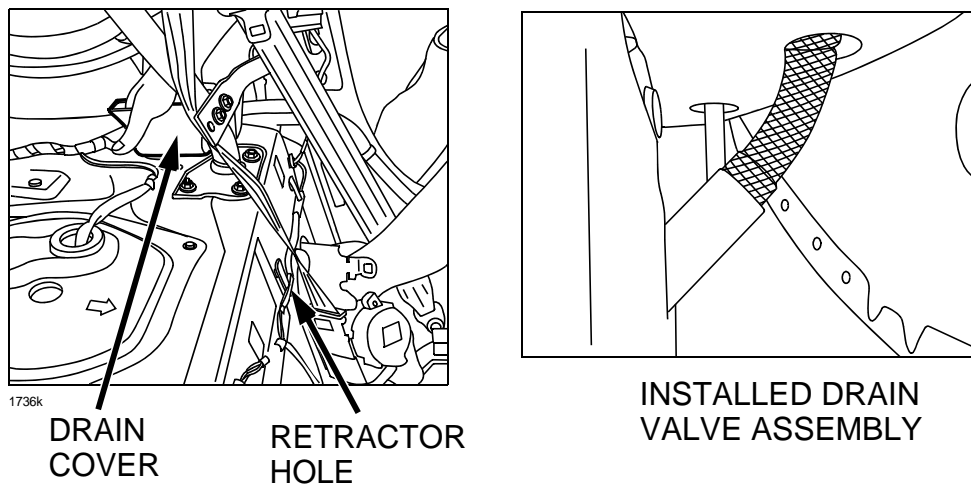
3. Install the modified lower valve in the same position as the old valve when removed.

4. Install the modified upper valve with the small end inside the drain valve assembly hose.

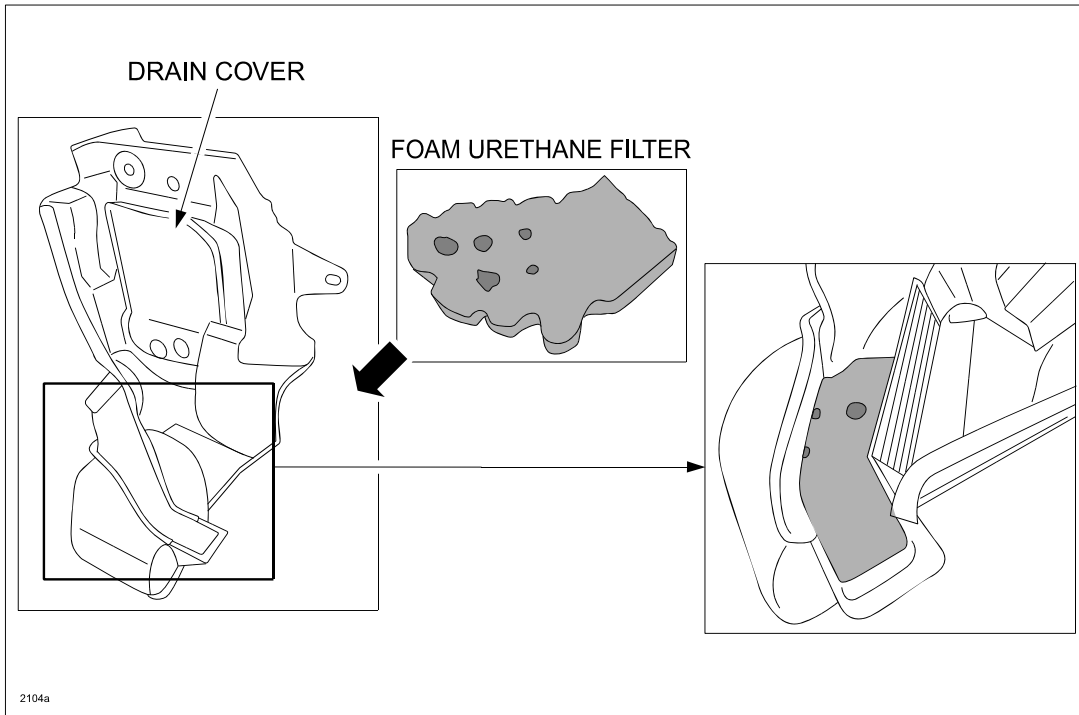


5. Using seat belt retractor hole for access, install drain valve assembly. Connect upper valve to drain cover hose and plug lower valve into body.

NOTE: Insert fingers into drain cover hose from top to aid when installing upper valve into drain cover hose.

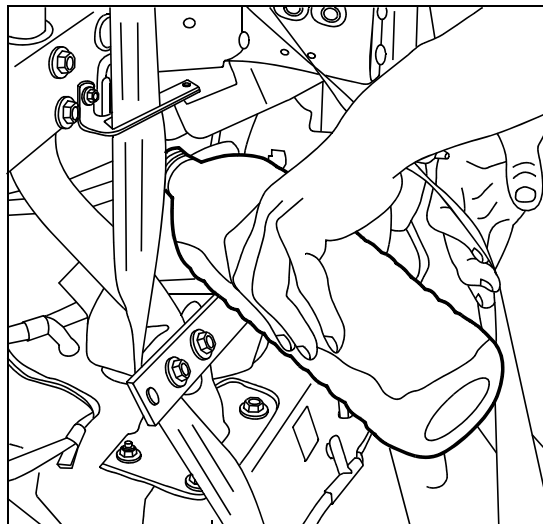


6. Insert a foam urethane filter in the drain cover.



7. Verify repair by pouring water into the drain covers prior to reassembly to confirming water only exits under vehicle and does not leak from drain valve tubes assemblies into retractor holes and/or overflow drain cover assemblies.

POUR WATER INTO THE DRAIN COVER TO MAKE SURE THE WATER DOES NOT OVERFLOW.



8. Install the seat belt retractors and covers according to Workshop Manual (section 08-11 SEAT BELT REMOVAL/INSTALLATION).

Tightening Torque:***Retractor Upper Bolts (2): 583-797 in-lbf (7.8-10.8 N.m)******Retractor Lower Bolt: 28.2 -57.8 ft-lbf (38.2 -78.4 N.m)***

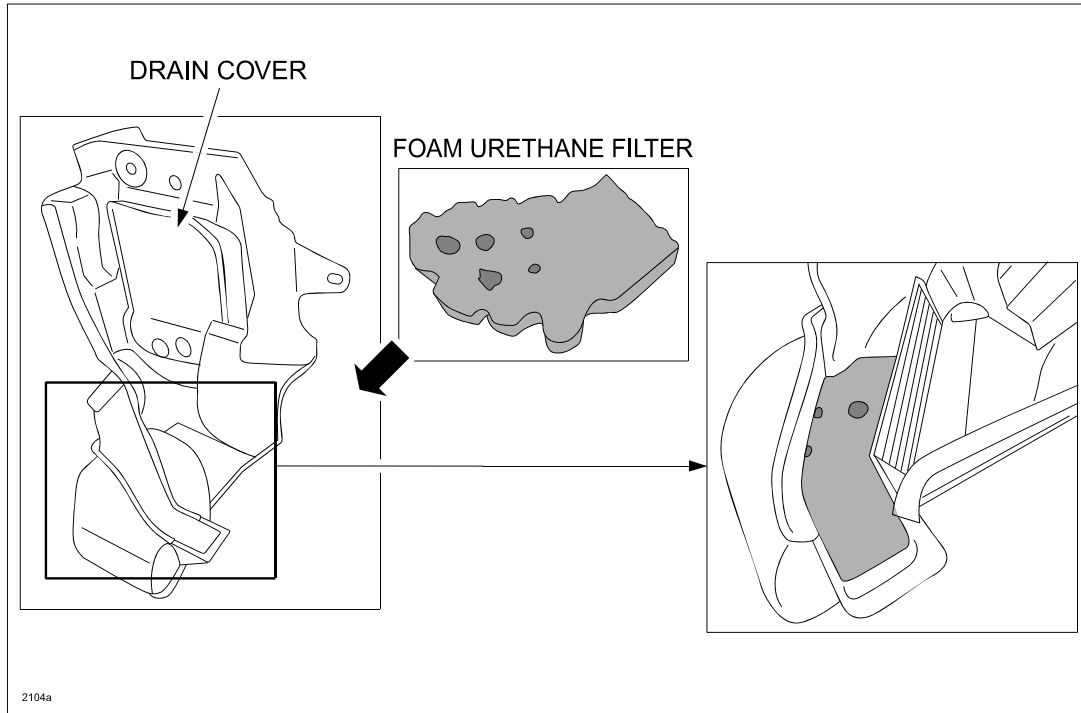
9. Install the left and right side shelves, rear package trim and related components according to Workshop Manual (section 09-17 SIDE SHELF REMOVAL/INSTALLATION).

NOTE: If the carpet has become wet as a result of water entry into the vehicle, the normal procedure is to dry and reuse the carpet and felt pads. If felt pad replacement is necessary due to odor, replace the felt pads with the newly established service felt parts according to Service Bulletin 09-012/09 (Establishment Of Service Felt Under Floor Mat) issued March 11, 2009.

10. Communicate to customer that periodic cleaning of leaves and other debris from bottom of convertible top is required. Please provide a copy of "Convertible Top Drain Maintenance Tips" to customers for their reference.

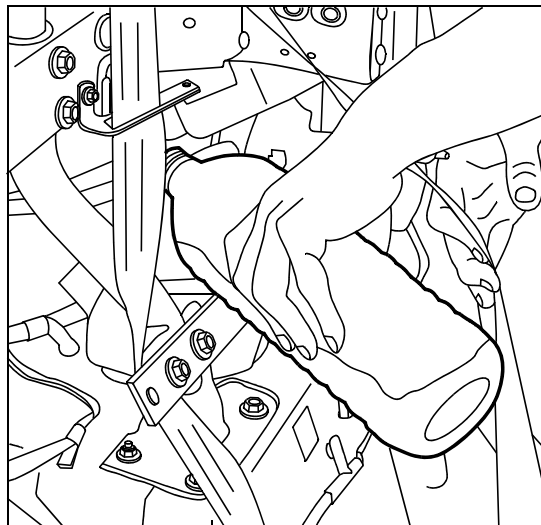
TYPE B VEHICLES:

1. Clean all debris from the drains.
2. Insert a foam urethane filter in the drain cover.



3. Verify repair by pouring water into the drain covers prior to reassembly to confirming water only exits under vehicle and does not leak from drain valve tubes assemblies into retractor holes and/or overflow drain cover assemblies.

POUR WATER INTO THE DRAIN COVER TO MAKE SURE THE WATER DOES NOT OVERFLOW.



4. Install the seat belt retractors and covers according to Workshop Manual (section 08-11 SEAT BELT REMOVAL/INSTALLATION).

Tightening Torque:

Retractor Upper Bolts (2): 583-797 in-lbf (7.8-10.8 N.m)

Retractor Lower Bolt: 28.2 -57.8 ft-lbf (38.2 -78.4 N.m)

5. Install the left and right side shelves, rear package trim and related components according to Workshop Manual (section 09-17 SIDE SHELF REMOVAL/INSTALLATION).

NOTE: If the carpet has become wet as a result of water entry into the vehicle, the normal procedure is to dry and reuse the carpet and felt pads. If felt pad replacement is necessary due to odor, replace the felt pads with the newly established service felt parts according to Service Bulletin 09-012/09 (Establishment Of Service Felt Under Floor Mat) issued March 11, 2009.

6. Communicate to customer that periodic cleaning of leaves and other debris from bottom of convertible top is required. Please provide a copy of "Convertible Top Drain Maintenance Tips" to customers for their reference.

PART(S) INFORMATION

Part Number	Description	Qty.	Notes
NEY1-R1-782	Filter, RH	1	Type A Vehicles
NEY1-R1-792	Filter, LH	1	Type A Vehicles
NE51-R1-784E	Valve, Lower	2	Type A Vehicles
NE51-R1-789E	Valve, Upper	2	Type A Vehicles
NH18-R1-782	Foam Urethane Filter	2	Type A Vehicles
NH18-R1-782	Foam Urethane Filter	2	Type B Vehicles

WARRANTY INFORMATION

NOTE:

- This warranty information applies only to verified customer complaints on vehicles eligible for warranty repair.
- This repair will be covered under Mazda's New Vehicle Limited Warranty term.
- Additional diagnostic time cannot be claimed for this repair.

Warranty Type	A
Symptom Code	77
Damage Code	93
Part Number Main Cause	NH18-R1-782
Quantity	2
Operation Number / Labor Hours:	XXB485RX / 1.4 Hrs. (Type A Vehicles) XXE10XRX / 1.1 Hrs. (Type B Vehicles)

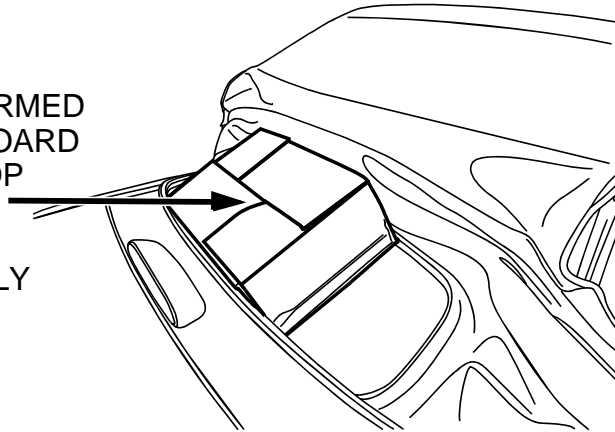
NOTE: For other replaced parts (LH filter, upper / lower valves), claim as related parts.

CONVERTIBLE TOP DRAIN MAINTENANCE TIPS (for customer reference)

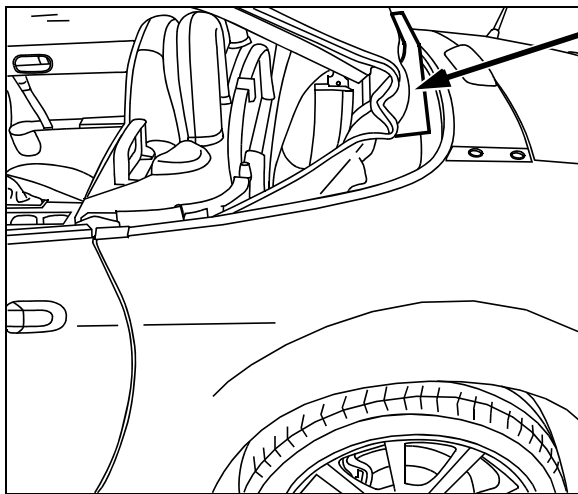
To maintain proper flow of the soft top drains is it highly recommended to perform periodical vacuuming of the locations as indicated below to remove dirt, sand, tree or other plant droppings such as leaves, seeds, blossoms, etc. to prevent them from accumulating in and clogging the soft top drain system.

1. Using or cardboard box or equivalent to keep the soft top in the half-open position will allow this procedure to be performed by a single person.

PLACING A FULLY FORMED AND CLOSED CARDBOARD BOX BEHIND SOFT TOP AS SHOWN WILL PREVENT TOP FROM OPENING COMPLETELY



1663b

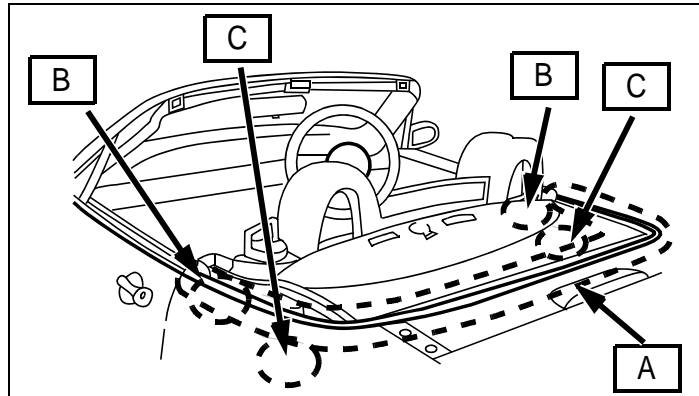


USE FOLDED BOX TO KEEP TOP FROM OPENING COMPLETELY

1736n

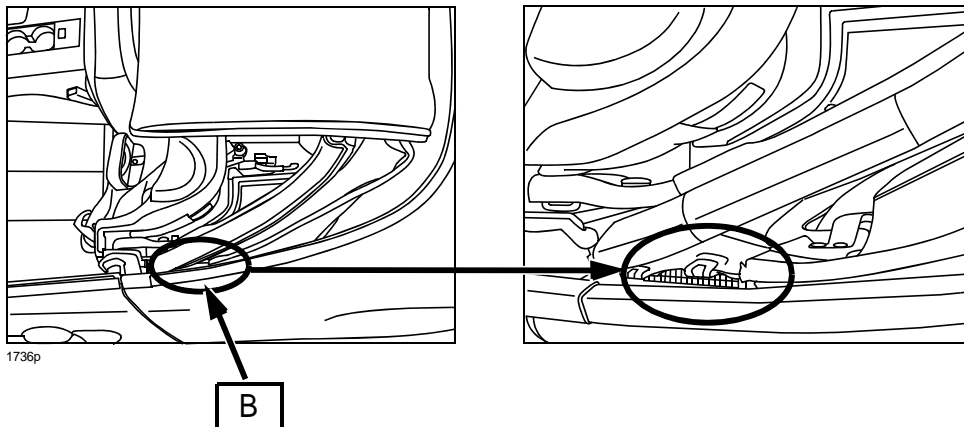
2. With the soft top down, Using a vacuum cleaner, remove the foreign substances (such as leaves) from around the rear edge of convertible top (A) between the soft top and the vehicle body.

NOTE: Pay special attention to areas "B" and "C" when vacuuming the convertible top filters.



1736o

AREA "B": Insert the vacuum cleaner hose inside the convertible top, remove leaves and/or debris from top of the drain cover filter on right and left side of vehicle.



1736p

AREA "C": Insert the vacuum cleaner hose inside the convertible top, remove the leaves and/or debris from the top of the filter through the rear package trim slits on right and left side of vehicle.

