

Service Information

Mazda Motor Corporation

3-1, Shinchi, Fuchu-cho, Aki-gun
Hiroshima 730-8670, Japan
TEL : 81(82)287-5323
FAX : 81(82)287-5220



Category P	Repair Guidance	Ref. No. R118/15A	Page 1 of 2
Coverage <input type="checkbox"/> Distributor only <input checked="" type="checkbox"/> Please inform your dealers		Date Issued December 24, 2015	
Please convey this information to your <input type="checkbox"/> Director <input checked="" type="checkbox"/> General Manager <input checked="" type="checkbox"/> Warranty Dept. <input checked="" type="checkbox"/> Parts Dept. <input checked="" type="checkbox"/> Training Dept. <input checked="" type="checkbox"/> Field Rep.		Date Revised January 18, 2016	
Applicable Model MX-5 (ND)		Applicable Countries or Specifications Worldwide	

Subject: Clunk/Rattle Noise from Rear Brake

DESCRIPTION

Some vehicles may exhibit a clunk/rattle noise from the rear brakes when going over lane dots and undulating road surfaces. The noise will disappear when the parking brake is lightly applied.

CAUSE

Vibration caused by the road surface shakes the brake caliper. Brake pads in the caliper move vertically and hit the caliper support resulting in the noise.

MASS PRODUCTION CHANGE

The rear brake caliper support and rear brake pads have been changed.

BEGINNING VIN & DATE OF MODIFICATION

Spec.	Beginning VIN	Date of Modification
ADR	JM0 ND **** ** 101007	November 1, 2015
US (2016MY)	JM1 ND **** ** 107656	
General RHD	JM6 ND **** ** 100174	
General LHD	JM7 ND **** ** 100268	
Israel	JMZ ND **** ** 100268	
EU (Including UK)	JMZ ND **** ** 106559	

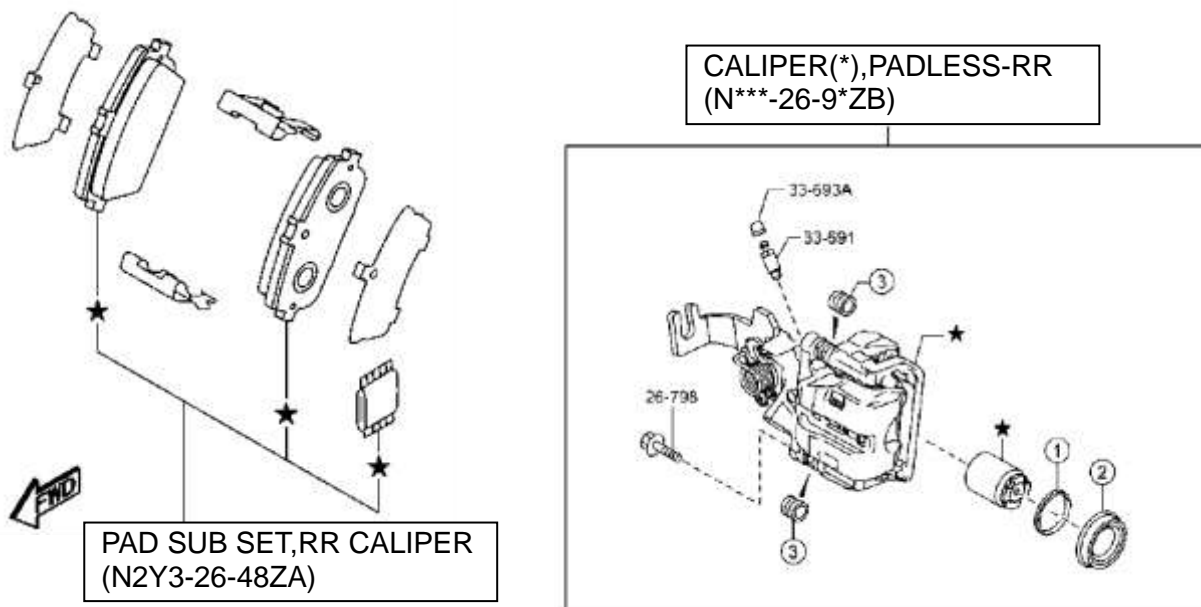
REPAIR PROCEDURE

Replace the rear brake calipers and pads with modified ones (both sides) referring to the Workshop Manual "REAR BRAKE (DISC) REMOVAL/INSTALLATION".

PARTS INFORMATION

Part Number		Part Name	Q'ty	Remark
New	Old			
N2Y3-26-48ZA	N2Y3-26-48Z	PAD SUB SET,RR CALIPER	1	-
N2Y3-26-98ZB	N2Y3-26-98ZA	CALIPER(R),PADLESS-RR	1	14" disk
N2Y3-26-99ZB	N2Y3-26-99ZA	CALIPER(L),PADLESS-RR	1	
NAYJ-26-98ZB	NAYJ-26-98ZA	CALIPER(R),PADLESS-RR	1	15" disk
NAYJ-26-99ZB	NAYJ-26-99ZA	CALIPER(L),PADLESS-RR	1	
NAYF-26-98ZB	NAYF-26-98ZA	CALIPER(R),PADLESS-RR	1	15" disk (*1)
NAYF-26-99ZB	NAYF-26-99ZA	CALIPER(L),PADLESS-RR	1	

(*1): 4-pot opposed piston front brake calipers (for USA spec.)



WARRANTY INFORMATION

Assembly group	P – Braking system
Subassembly group	02 - REAR BRAKE
Symptom Code	82
Damage Code	97
Causal Part No.	N2Y3-26-98ZB, NAYJ-26-98ZB or NAYF-26-98ZB (CALIPER(R))
Q'ty	1
Operation No. & Labor Hours	XXL9RBRX and 1.0 Hrs. (w/o i-stop) or XXL9RARX and 1.1 Hrs. (with i-stop) or XXL9RCRX and 1.2 Hrs. (4-pot opposed piston front brake calipers)
Period Covered	Normal Warranty Period

Note: Claim PAD SUB SET and CALIPER(L) as related parts

Ryu Shimizugawa
Manager, Technical Information Gr.
Technical Service Dept.
Mazda Motor Corporation
2F71751057 (MC Internal Use)